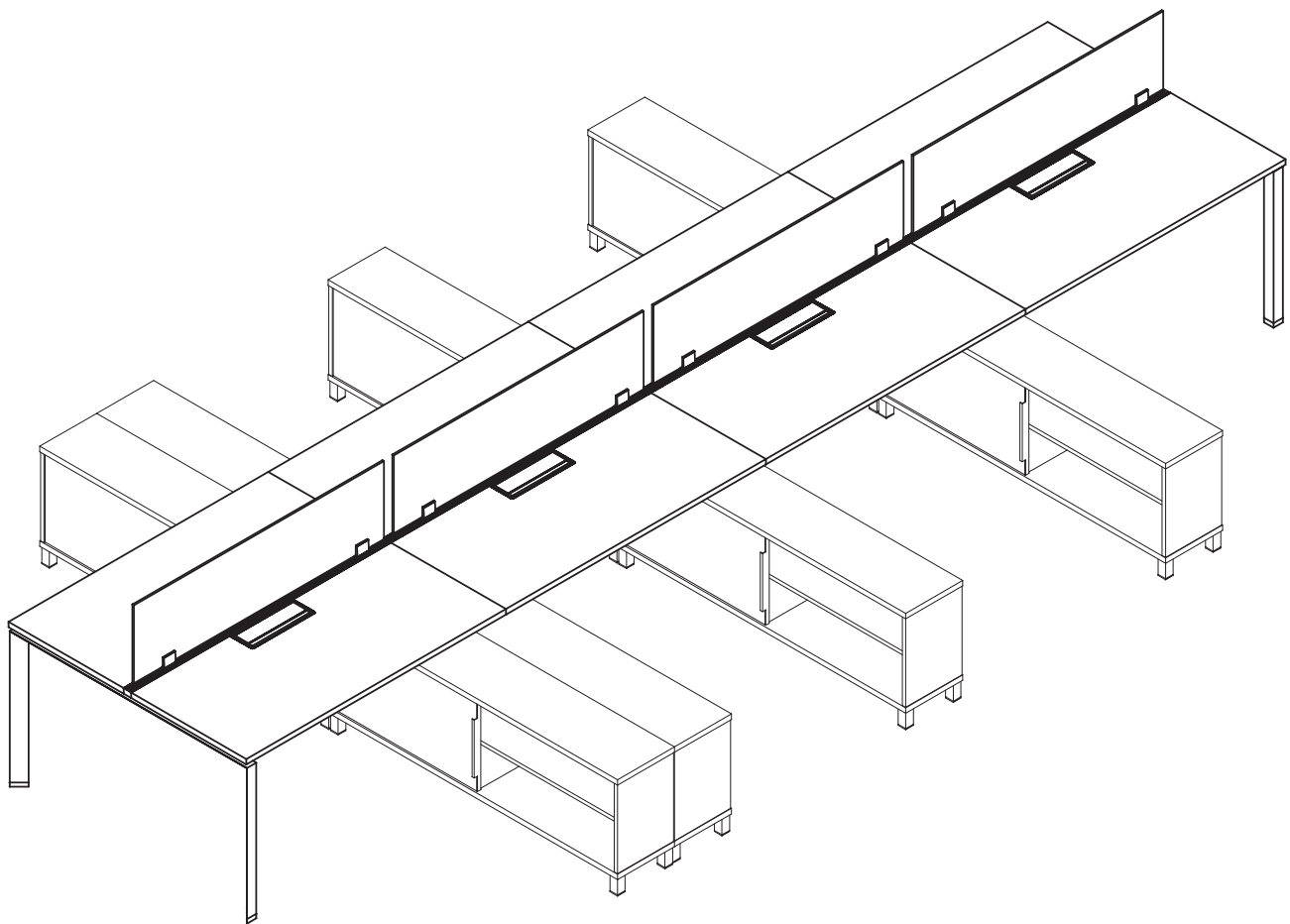




INSTALLATION
MANUAL

VERITY

friant.com/Verity



VERITY INSTALLATION MANUAL

General Information	4
Safety & Support	5
Installation Tools	6
Staging & Installation	7

Stand Alone Units

Single-Sided Structure	8
Double-Sided Structure	12

Elements

Single-Sided Structure	17
Double-Sided Structure	22

Electrical

Definitions	28
Power Installation	29
Power Trough: Single-Sided	31
Power Trough: Double-Sided	33
Power Jumpers	35
Power Pole	36
Chicago Power Box: Single-Sided	39
Chicago Power Box: Double-Sided	40

Worksurfaces

Return Worksurface: Installing to the Beam	41
Return Worksurface: Installing to the Center Leg	42
Worksurface	43
Track Spacer	44
Grommet	45

Accessories

Track-Mounted Tackboard	46
Track-Mounted Glass	47
Open Shelf	48
Monitor Arm	49

Gallery Panels

Gallery Panels	50
----------------------	----

Storage

Over Worksurface Storage: With Cabinet Support	51
Over Worksurface Storage: With Column Base Support	52

GENERAL INFORMATION

This installation manual provides necessary information for the safe installation of Friant's Verity product.

The Verity product line is a benching system composed of worksurfaces, storage and accessories. It consists of products that are factory assembled and require installation only; and other products that are shipped as subassemblies for assembly during the installation process.

Verity products are available with an 8-wire electric system that is listed with Underwriters Laboratories and comply with UL1286.

This product is considered portable furniture and is therefore subject to local fire, electrical and building codes; therefore, check with local building authorities before installation of the product.

It is the responsibility of the dealer and the installer to properly install this product according to this manual and generally accepted industry practices.



WARNING: Failure to follow the instructions in this manual can result in product damage, personal injury or both.

SAFETY & SUPPORT

SAFETY NOTES

- Please read all WARNINGS and NOTES, as these are for your safety.
- Please read TIPS in the installation as helpful suggestions.
- Always use proper tools when installing.
- Keep your work area clean, clutter-free and safe during installation.
- Use eye protection when working under a workstation or when working with tools.
- Many products weigh more than 35 pounds. Use two or more people to safely lift, carry and install the products.
- When using tools, extension cords or ladders, use them in accordance to OSHA guidelines.
- Work safe, work smart.

SUPPORT CENTER

Should you have any questions or require assistance during the installation process, please telephone our support center:

PHONE (510) 535-5113

HOURS Monday - Friday, 8am - 5pm PST

Download additional copies of this installation manual at **www.friant.com/install**.

INSTALLATION TOOLS

INSTALLATION TOOLS

The following tools are necessary for field assembly and installation of Friant's Verity product:

- Allen wrench 6 mm
- Allen wrench bits (6 mm and 5 mm)
- Phillips head screwdriver
- Measuring tape (25' or more)
- Rubber mallet or dead blow mallet
- Carpenter's level (48")

The following tools will help speed up installations, but are not necessary:

- Drill (12v or more)
- Screw bits #2
- Wrench, open end 10mm (long handle is best)
- Pliers
- Carton knife
- Material handling carts

STAGING & INSTALLATION

STAGING

In an effort to make your project run more smoothly, the following is recommended:

1. Unload all products into a staging area on your job site and sort by product number.
2. Check in and count all products for accuracy and damage prior to the delivery truck leaving. Note any damages or shortages on the Bill of Lading before signing.
3. Notify the factory immediately of any shortages or damages (with photo to document).
4. Keep and maintain a clutter-free staging area — it will help speed up your assembly.
5. Protect all building walls with furniture pads or cardboard where product is leaning against them or in high traffic areas.

FOR SUCCESSFUL INSTALLATION

Keep these items in mind while installing product:

- Ensure that all products are level throughout the installation process and correctly attached.
- Check product for stability after installation of all components. If needed, correct or adjust leveling or installation to fix stability.

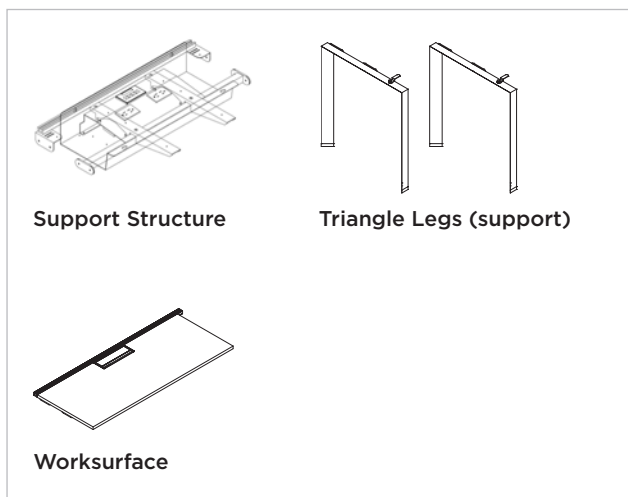
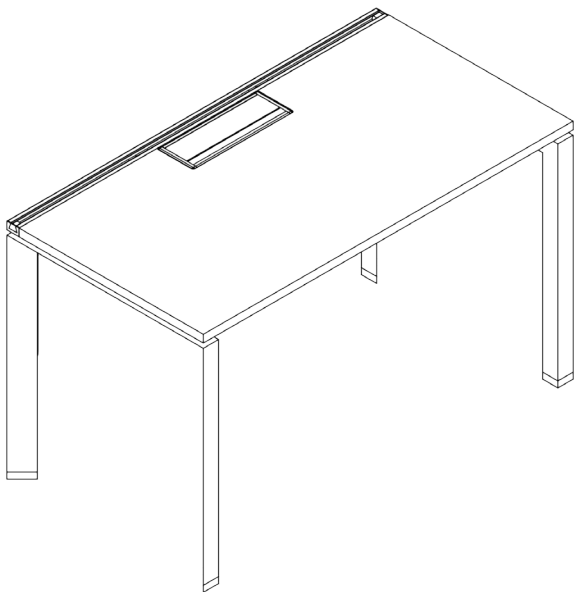
STAND-ALONE UNITS | single-sided

STAND-ALONE UNITS | SINGLE-SIDED

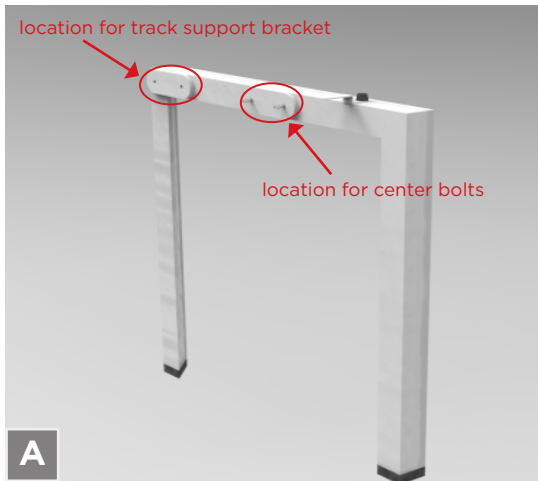
Building the Basic Structure

Stand-Alone Single-Sided units include a support structure, two triangle legs and a worksurface. The following set of instructions for **Building the Basic Structure** is phase one, which begins with only the structure and supports.

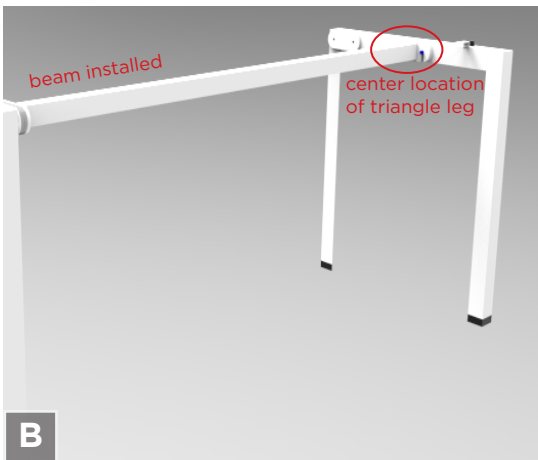
Below is a drawing of an installation.



STAND-ALONE UNITS | single-sided



A
Triangle Leg



B
Triangle Leg to Triangle Leg

STAND-ALONE UNITS | SINGLE-SIDED

Building the Basic Structure

Verity offers a variety of support options. In steps 1 & 2 of the following guide, there are separate installation instructions for each type of support option. Reference the correct installation instructions according to your setup.

STEP I: Prepare Supports

Triangle Legs

1. Insert two 6 mm bolts, included in the hardware package, at the center location on each triangle leg. Hand tighten with 5 turns. *IMAGE A*
2. Locate the track support bracket and hand tighten to the back side of the triangle leg, using washers and 6 mm bolts (1 washer per bolt), at the location of the plate for each leg. *IMAGE A*

STEP II: Installing the Beam

Triangle Leg to Triangle Leg

1. Place the beam on the center location of both triangle legs. *IMAGE B*
2. Push down on the beam as you tighten the 6 mm bolts on each leg. *IMAGE B*



NOTE: It is very important to level the structure at this point before proceeding with the installation.

STEP III: Installing the Trough & Electrical

We recommend installing the trough and power components at this point of the installation.

Please see pages 28-34 for detailed instructions.

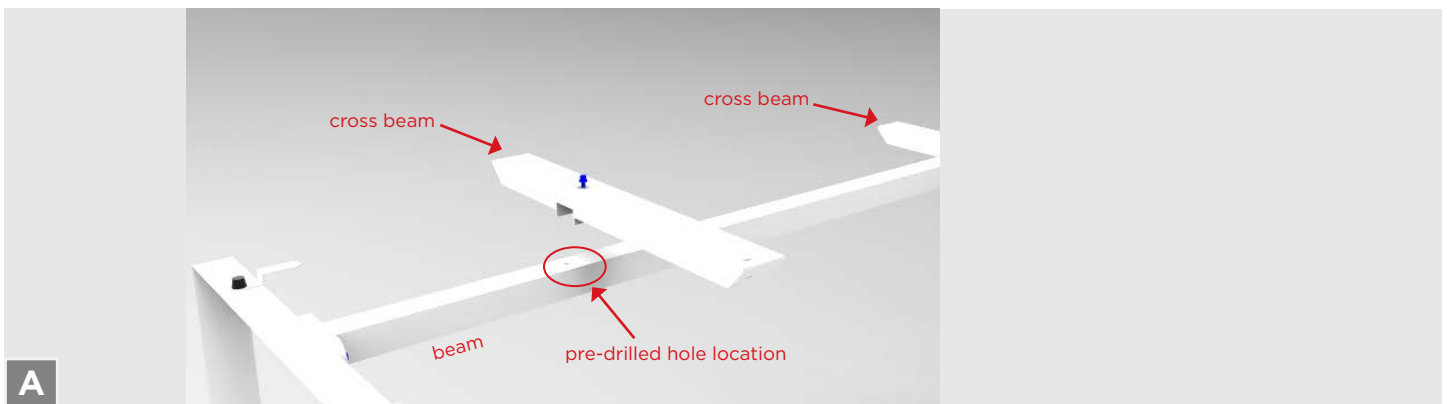
STAND-ALONE UNITS | single-sided

STAND-ALONE UNITS | SINGLE-SIDED

Building the Basic Structure, continued

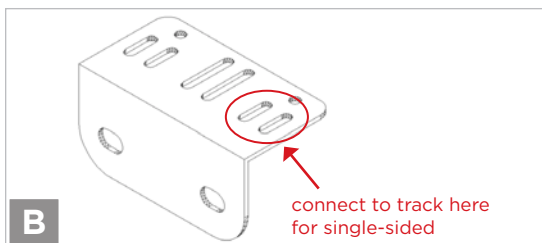
STEP IV: Installing Cross Beams

1. Install cross beams at the pre-drilled hole locations on the beam using the 5 mm bolts included in the hardware and tighten. IMAGE A



STEP V: Installing Accessory Track

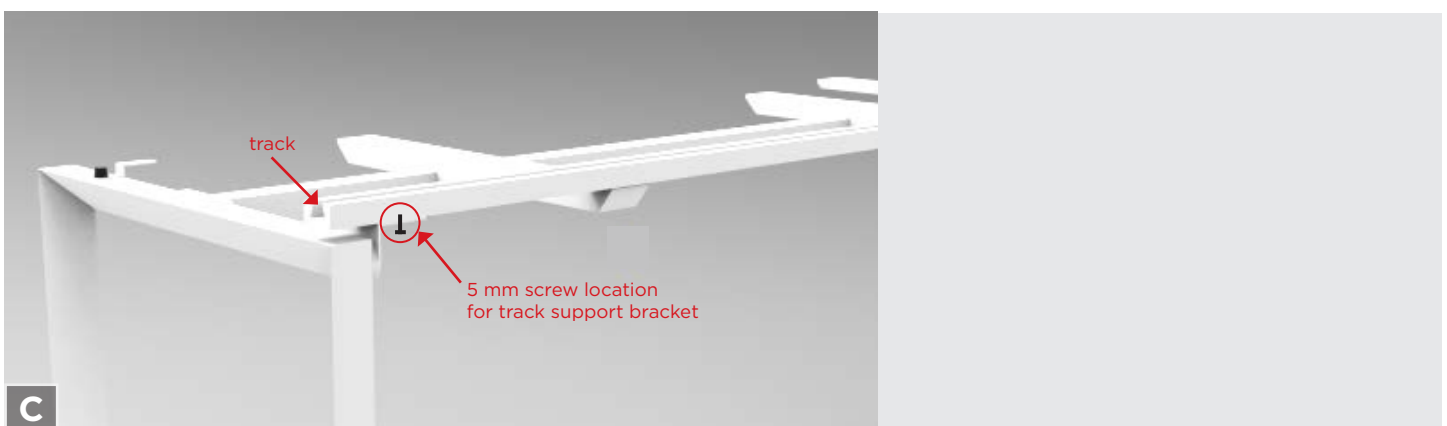
1. Place the track on the track support brackets on each triangle leg. Insert 5 mm screws through the underside of the bracket into the track, for each side. Do not tighten at this point. IMAGE B & C



NOTE: The screws securing the track to the track support brackets will be tightened later during the installation of the worksurfaces.



NOTE: The plastic track end caps will be installed after track accessories are installed.



STAND-ALONE UNITS | single-sided

STAND-ALONE UNITS | SINGLE-SIDED

Building the Basic Structure, continued

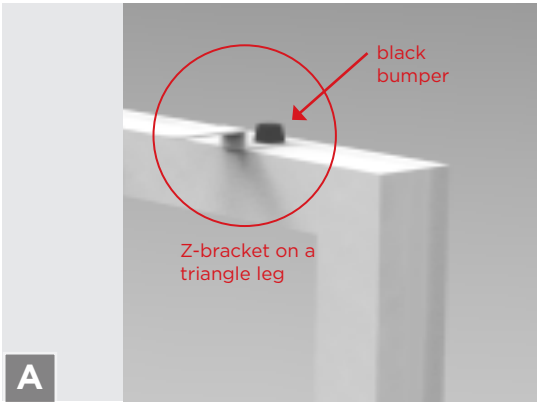
STEP VI: Installing Z-brackets

1. Place two Z-brackets on top of each triangle leg at the pre-drilled hole locations toward the front and back of the leg. IMAGE A



NOTE: Make sure the Z-bracket faces the direction the worksurface will be installed.

2. Insert the black bumper and secure in place with a black rivet. IMAGE A



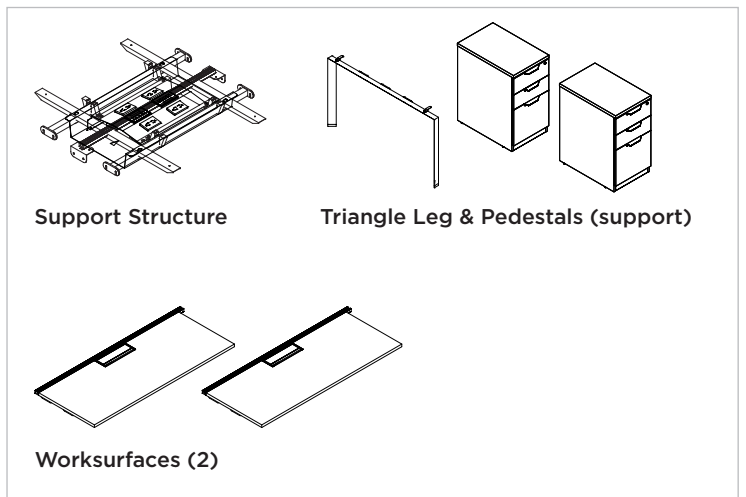
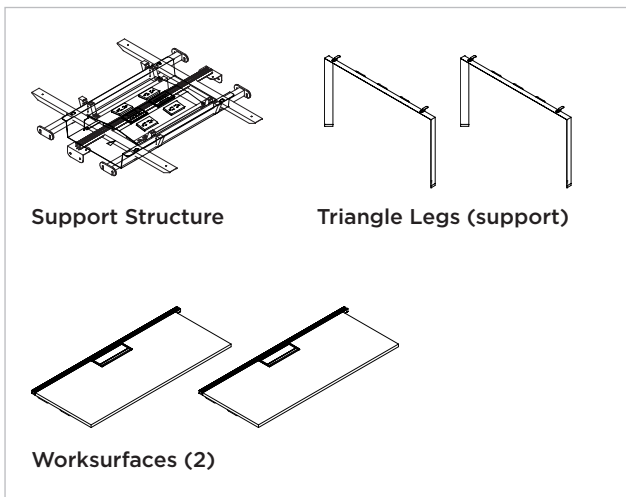
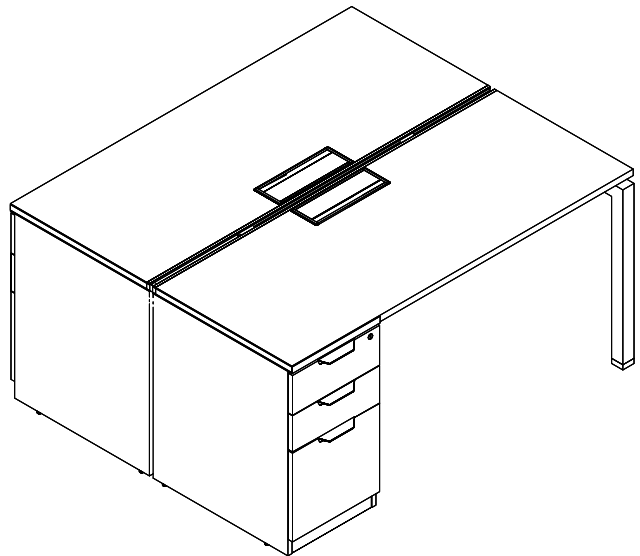
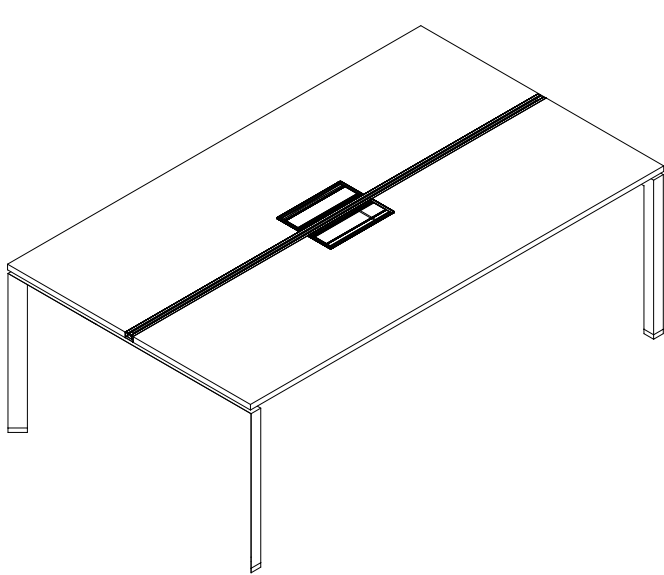
STAND-ALONE UNITS | double-sided

STAND-ALONE UNITS | DOUBLE-SIDED

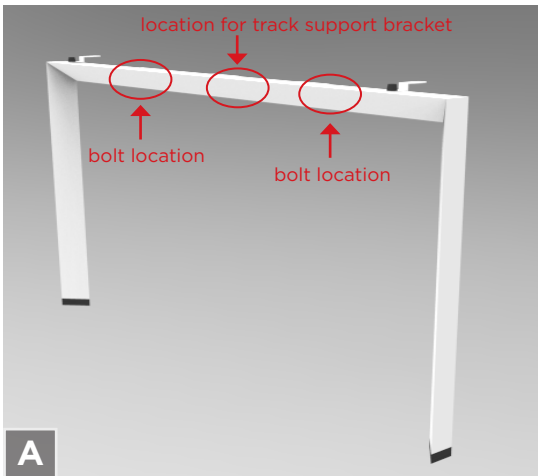
Building the Basic Structure

Stand-Alone Double-Sided units include a support structure, two worksurfaces and supports (either two triangle legs or two pedestals). The following set of instructions for **Building the Basic Structure** is the phase one, which begins with only the structure and supports.

Below are two drawings of installations with different support options.



STAND-ALONE UNITS | double-sided



Triangle Leg

STAND-ALONE UNITS | DOUBLE-SIDED

Building the Basic Structure

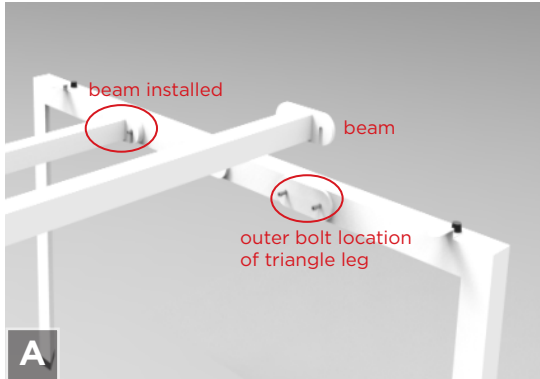
Verity offers a variety of support options. In steps 1 & 2 of the following guide, there are separate installation instructions for each type of support option. Reference the correct installation instructions according to your setup.

STEP I: Prepare Supports

Triangle Legs

1. Insert four 6 mm bolts, included in the hardware package, at the two outer locations on each triangle leg. Hand tighten with 5 turns. IMAGE A
2. Locate the track support bracket and hand tighten to the center of both triangle legs, using washers and 6 mm bolts (1 washer per bolt), at the location of the plate for each leg. IMAGE A

STAND-ALONE UNITS | double-sided



Triangle Leg to Triangle Leg

STAND-ALONE UNITS | DOUBLE-SIDED

Building the Basic Structure, continued

STEP II: Installing the Beams

Triangle Leg to Triangle Leg

1. Place the beam on the outer location of both triangle legs.

IMAGE A

2. Push down on the beam as you tighten the 6 mm bolts on each leg. IMAGE A



NOTE: It is very important to level the structure at this point before proceeding with the installation.

STEP III: Installing the Trough & Electrical

We recommend installing the trough and power components at this point of the installation.

Please see pages 28-34 for detailed instructions.

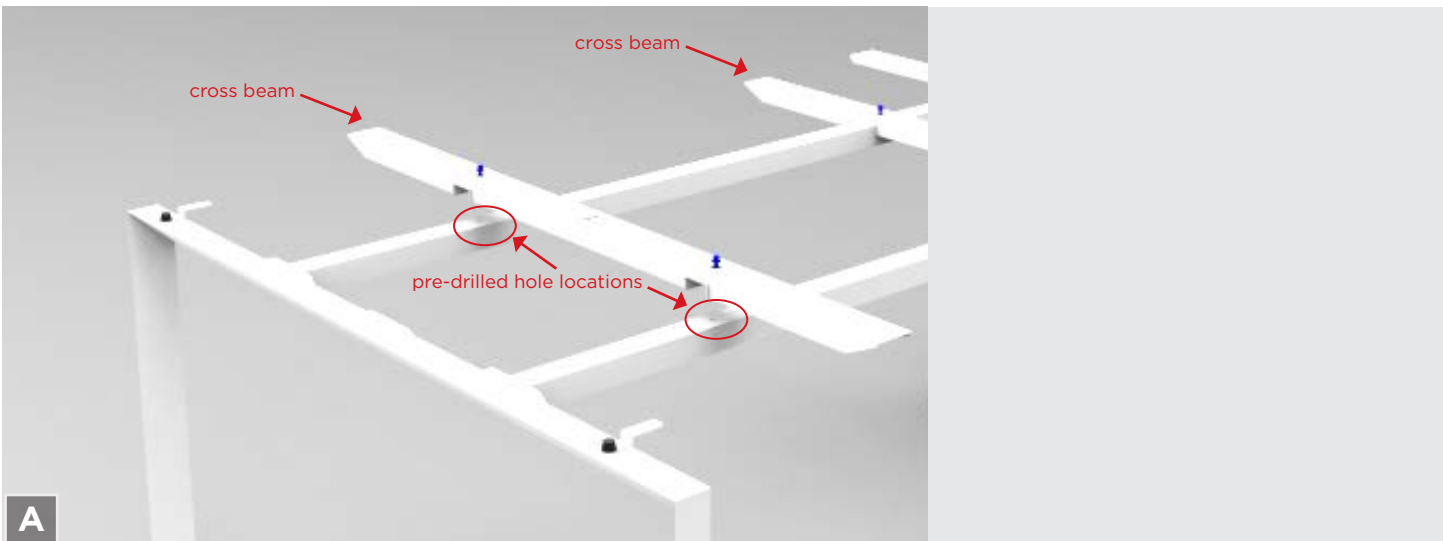
STAND-ALONE UNITS | double-sided

STAND-ALONE UNITS | DOUBLE-SIDED

Building the Basic Structure, continued

STEP IV: Installing Cross Beams & Center Leg Bumpers

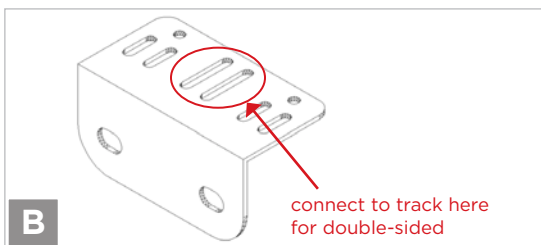
1. Install cross beams at the pre-drilled hole locations on the two beams using the 5 mm bolts included in the hardware and tighten. IMAGE A



STEP V: Installing Accessory Track

1. Place the track on the track support brackets on each leg. Insert 5 mm screws through the underside of the bracket into the track, for each side. Do not tighten at this point.

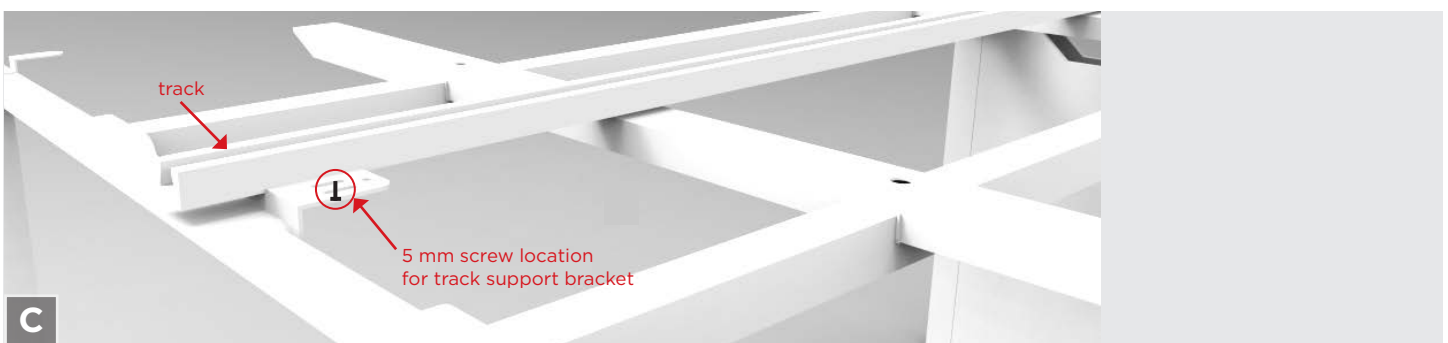
IMAGE B & C



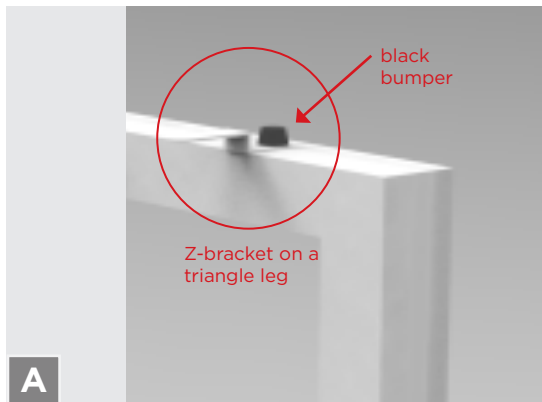
NOTE: The screws securing the track to the track support brackets will be tightened later during the installation of the worksurfaces.



NOTE: The plastic track end caps will be installed after track accessories are installed.



STAND-ALONE UNITS | double-sided



Triangle Leg

STAND-ALONE UNITS | DOUBLE-SIDED

Building the Basic Structure, continued

STEP VI: Installing Z-brackets

Triangle Legs

1. Place two Z-brackets on top of each triangle leg at the pre-drilled hole locations toward the front and back of the leg. IMAGE A



NOTE: Make sure the Z-bracket faces the direction the worksurfaces will be installed.

2. Insert the black bumper and secure in place with a black rivet. IMAGE A

ELEMENTS | SINGLE-SIDED

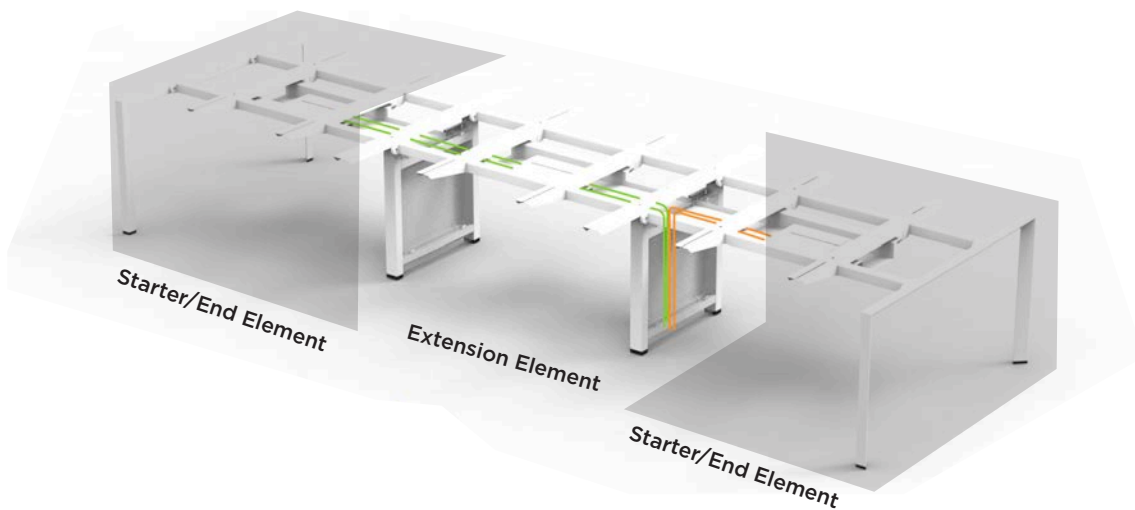
Building the Basic Structure

Single-Sided Elements are built using single-sided Starter/End Elements and (optional) single-sided Extension Elements. A single-sided structure may have any number of Extension Elements or none.

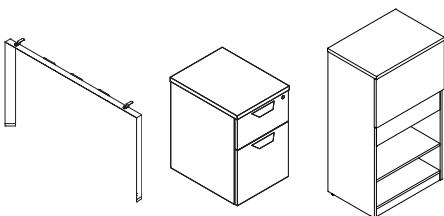
Starter/End Element supports include triangle legs, supporting pedestals or supporting cabinets. Extension Element supports include open center leg, enclosed center leg or credenza.

The following set of instructions for **Building the Basic Structure** is the phase one, which begins with only the structure and supports.

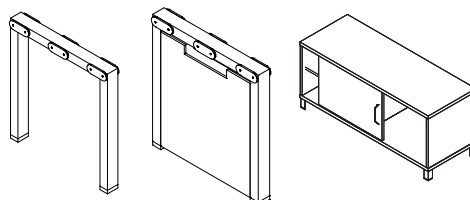
Below is an image of an installation with one of the many variations of supports possible.



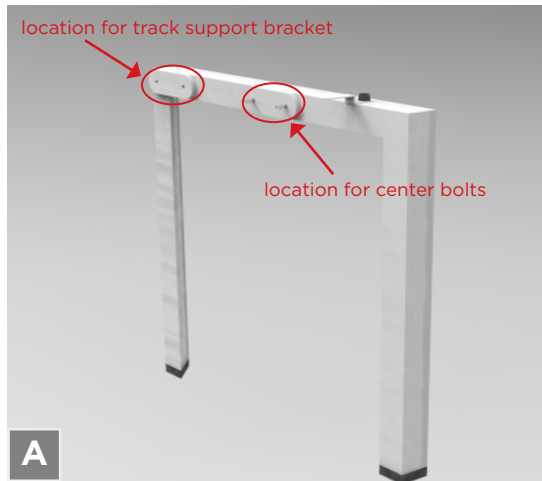
Starter/End Element Supports



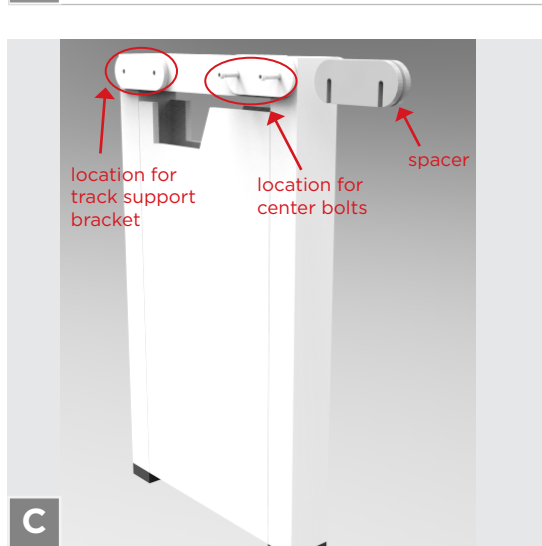
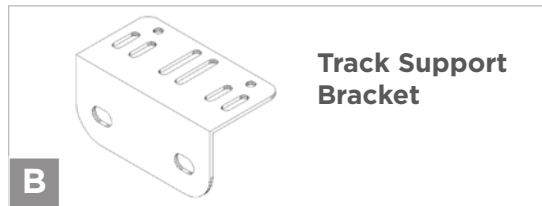
Extension Element Supports



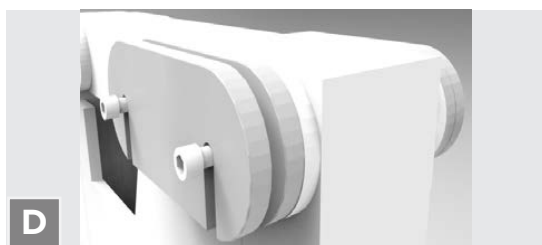
ELEMENTS | single-sided



A
Triangle Leg



C
Center Leg



D
Close-Up View: Spacer on center leg bolts

ELEMENTS | SINGLE-SIDED

Building the Basic Structure

Verity offers a variety of support options. In steps 1 & 2 of the following guide, there are separate installation instructions for each type of support option. Reference the correct installation instructions according to your setup.

STEP I: Prepare Supports

Triangle Legs

1. Locate the track support bracket and hand tighten to the back side of the triangle leg, using washers and 6 mm bolts (1 washer per bolt), at the location of the plate.

IMAGE A & B

2. Insert two 6 mm bolts, included in the hardware package, at the center location on the triangle leg. Hand tighten with 5 turns.

IMAGE A

3. Slide one spacer onto the center bolts of each triangle leg.

IMAGE D

Center Leg

1. Locate the track support bracket and hand tighten to the location of the plate using washers and 6 mm bolts (1 washer per bolt), for each side of the center leg.

IMAGE C

2. On each side of the center leg, insert two 6 mm bolts, included in the hardware package, at the center location. Hand tighten with 5 turns.

IMAGE C

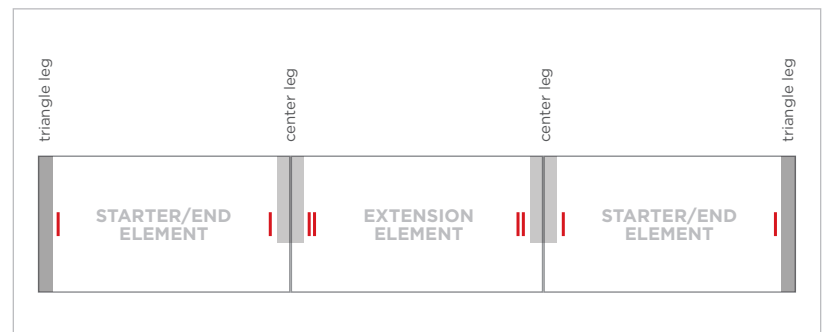
3. Slide one spacer onto the front bolts on each side of the center leg.

IMAGE D

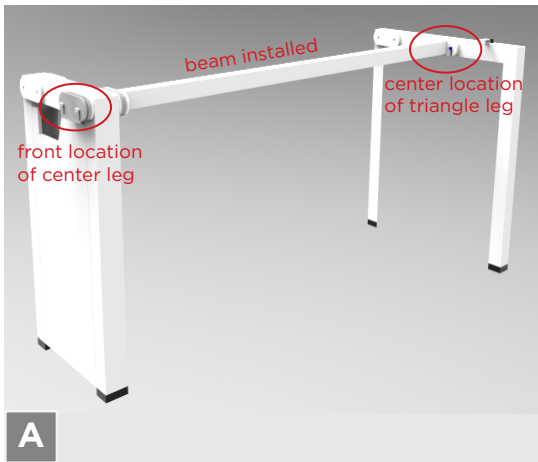


NOTE: A second spacer is necessary if the center leg will be supporting an Extension Element. See diagram below for clarification.

Diagram for Spacers (top view)



Example: If a center leg will support an Extension Element on both sides, it will require 2 spacers on each side (a total of 4 spacers on the leg).



A

Triangle Leg to Center Leg



C

Center Leg to Center Leg

ELEMENTS | SINGLE-SIDED

Building the Basic Structure, continued

STEP II: Installing the Beams

Triangle Leg to Center Leg

1. Place the beam on the center location of the triangle leg and front location of the center leg. IMAGE A
2. Push down on the beam as you tighten the 6 mm bolts on each leg. IMAGE A



NOTE: It is very important to level the structure at this point before proceeding with the installation.

Center Leg to Center Leg



NOTE: Center Leg to Center Leg configuration supports an Extension Element. Ensure that there are two spacers at each bolt location on the center legs for this beam. This is necessary before proceeding to install the beam.

1. Place the beam on the front location of both center legs.
2. Push down on the beam as you tighten the 6 mm bolts on each leg.



NOTE: It is very important to level the structure at this point before proceeding with the installation.

STEP III: Installing the Trough & Electrical

We recommend installing the trough and power components at this point of the installation.

Please see pages 28-35 for detailed instructions.

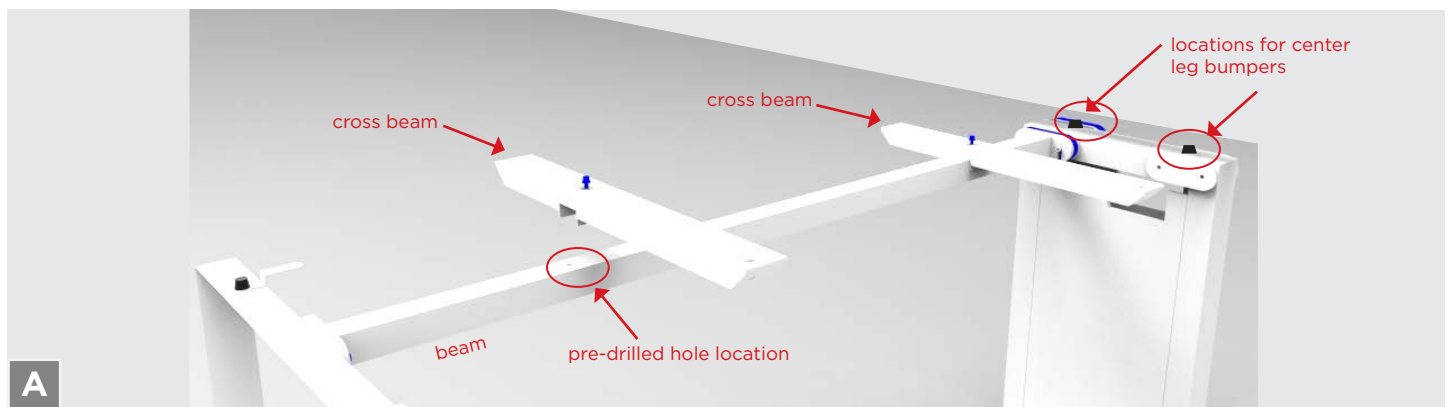
ELEMENTS | single-sided

ELEMENTS | SINGLE-SIDED

Building the Basic Structure, continued

STEP IV: Installing Cross Beams & Center Leg Bumpers

1. Install cross beams at the pre-drilled hole locations on the beam using the 5 mm bolts included in the hardware and tighten. IMAGE A
2. Install the center leg bumpers to the pre-drilled hole locations on the top of the center leg by pushing down on the plastic rivet. IMAGE A



STEP V: Installing Accessory Tracks

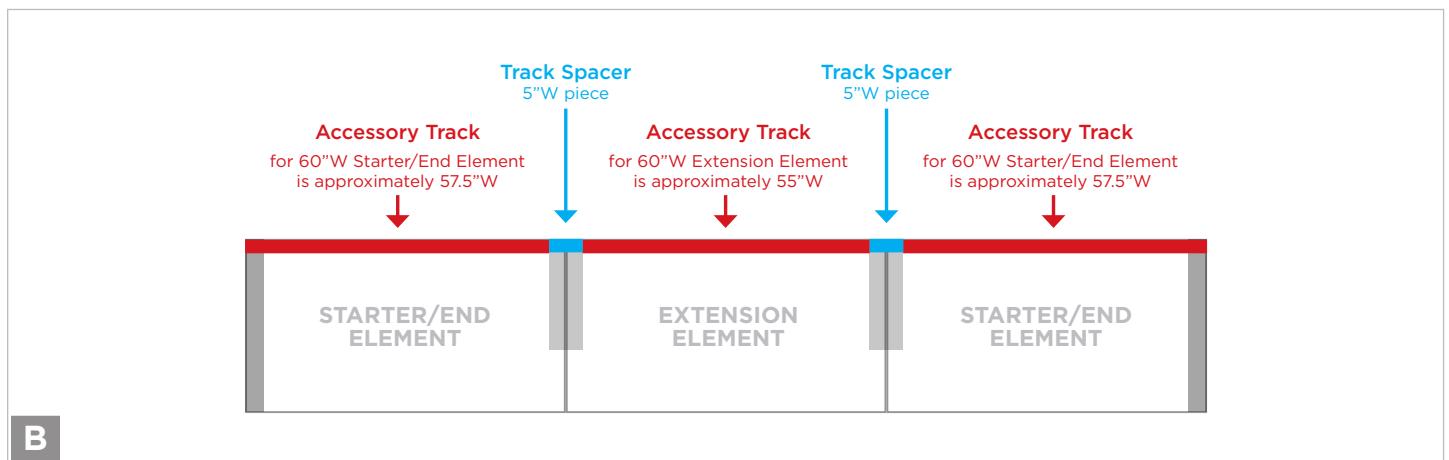
Accessory tracks for Elements are designed shorter than the worksurface width. This accommodates track spacers, which allow convenient accessories installation/removal from the top.

Track spacers are placed in the locations between two accessory tracks. See diagram below:



NOTE: Track spacers are installed after worksurface installation.

Diagram for Accessory Track & Track Spacers (top view)



ELEMENTS | single-sided

ELEMENTS | SINGLE-SIDED

Building the Basic Structure, continued

STEP V: Installing Accessory Tracks, continued

1. Place the track on the track support brackets on each leg. Insert 5 mm screws through the underside of the bracket into the track, for each side. Do not tighten at this point.

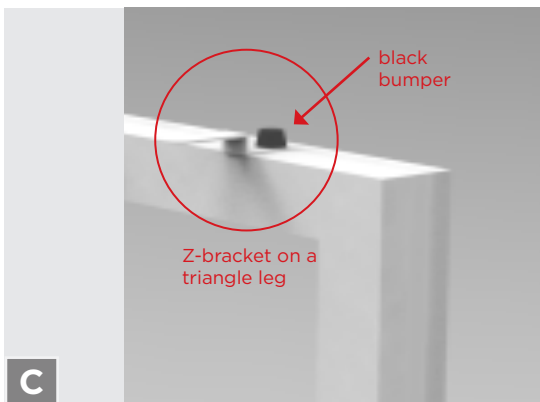
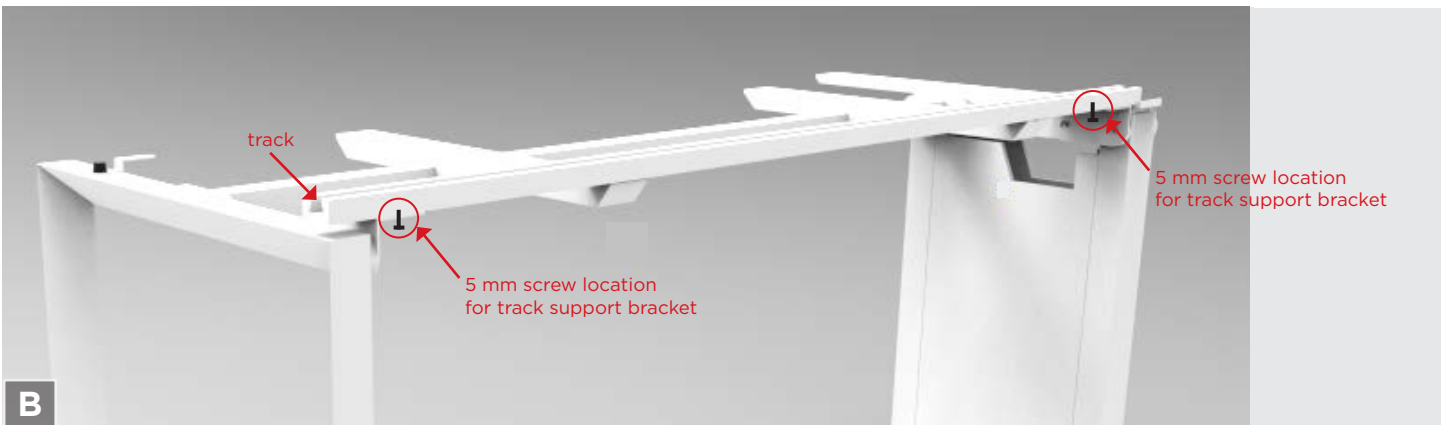
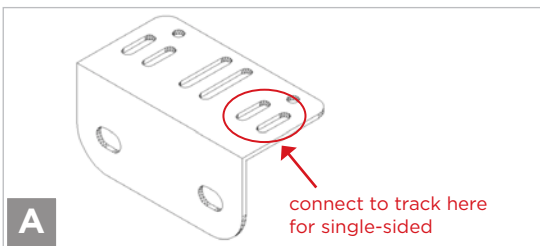
IMAGE A & B



NOTE: The screws securing the track to the track support brackets will be tightened later during the installation of the worksurfaces.



NOTE: Do not install the plastic track end caps at this point. They will be installed after track accessories are installed in place.



STEP VI: Installing Z-brackets

1. Place two Z-brackets on top of the triangle leg at the pre-drilled hole locations toward the front and back of the leg.

IMAGE C



NOTE: Make sure the Z-bracket faces the direction the worksurfaces will be installed.

2. Insert the black bumper and secure in place with a black rivet. IMAGE C

ELEMENTS | double-sided

ELEMENTS | DOUBLE-SIDED

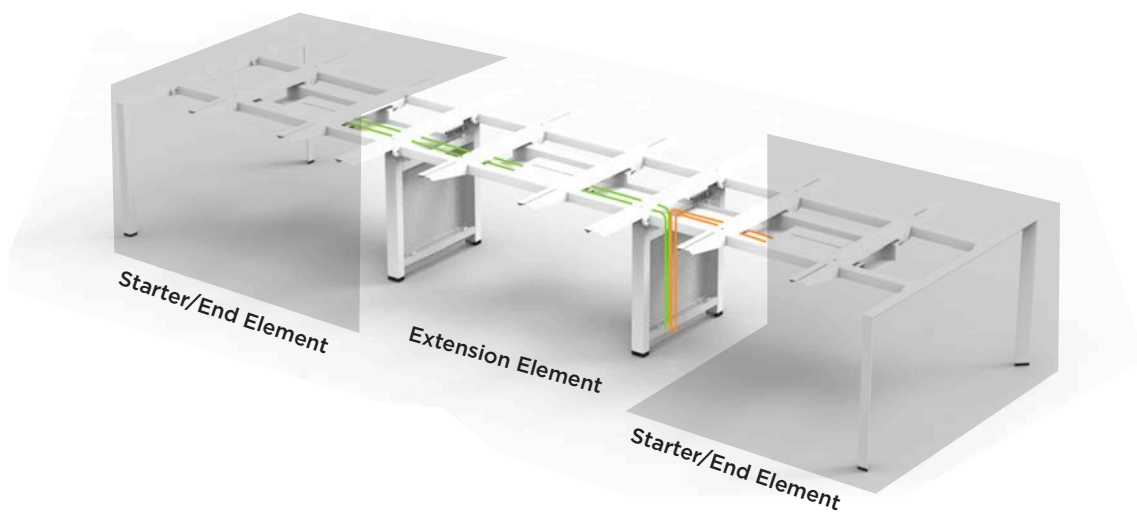
Building the Basic Structure

Double-Sided Elements are built using double-sided Starter/End Elements and (optional) double-sided Extension Elements. A double-sided structure may have any number of Extension Elements or none.

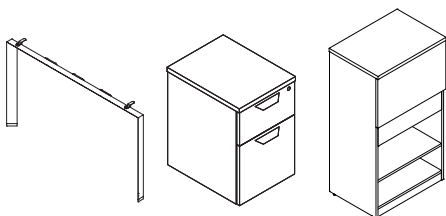
Starter/End Element supports include triangle legs, supporting pedestals or supporting cabinets. Extension Element supports include open center leg, enclosed center leg or credenza.

The following set of instructions for **Building the Basic Structure** is the phase one, which begins with only the structure and supports.

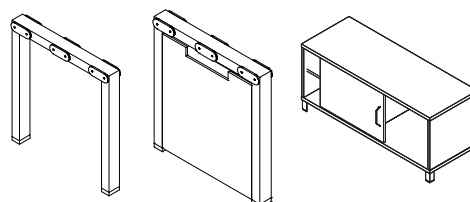
Below is an image of an installation with one of the many variations of supports possible.



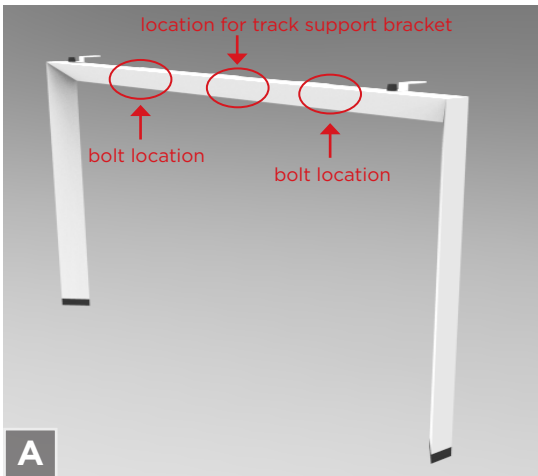
Starter/End Element Supports



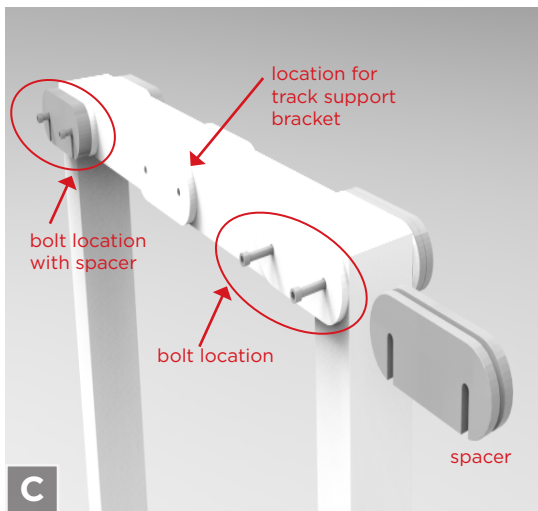
Extension Element Supports



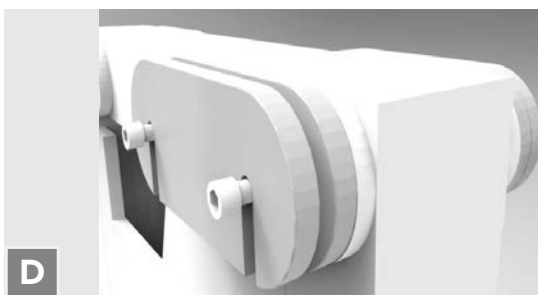
ELEMENTS | double-sided



Triangle Leg



Center Leg



Close-Up View: Spacer on center leg bolts

ELEMENTS | DOUBLE-SIDED

Building the Basic Structure

Verity offers a variety of support options. In steps 1 & 2 of the following guide, there are separate installation instructions for each type of support option. Reference the correct installation instructions according to your setup.

STEP I: Prepare Supports

Triangle Legs

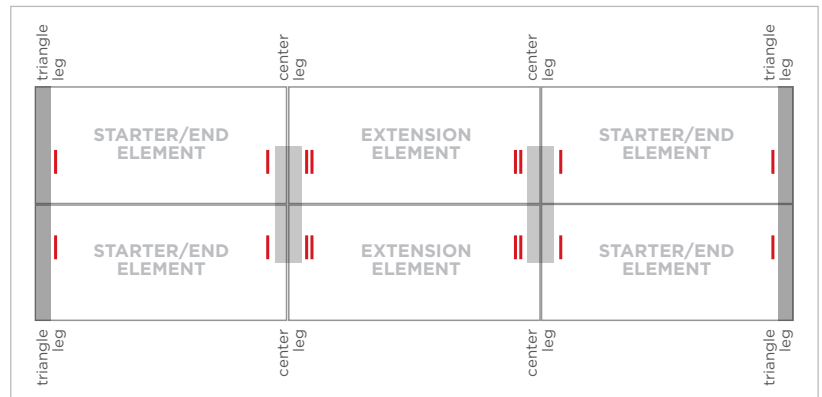
1. Locate the track support bracket and hand tighten to the back side of the triangle leg, using washers and 6 mm bolts (1 washer per bolt), at the location of the plate. IMAGE A & B
2. Insert four 6 mm bolts, included in the hardware package, at the two outer locations on the triangle leg. Hand tighten with 5 turns. IMAGE A
3. Slide one spacer onto the two bolt locations of each triangle leg. IMAGE D

Center Leg

1. On each side of the center leg, insert four 6 mm bolts, included in the hardware package, at the two outer locations. Hand tighten with 5 turns. IMAGE C
2. Locate the track support bracket and hand tighten to the location of the plate using washers and 6 mm bolts (1 washer per bolt), for each side of the center leg. IMAGE C
3. Slide one spacer onto the two bolt locations on each side of the center leg. IMAGE D

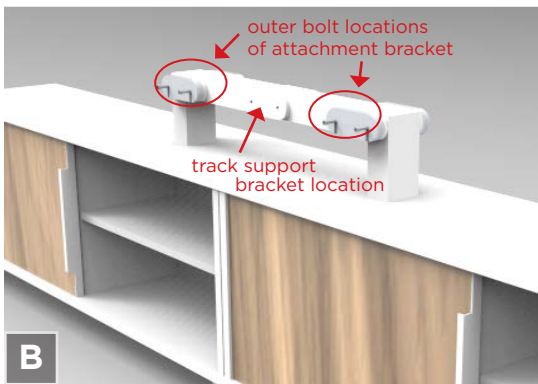
NOTE: A second spacer is necessary if the center leg will be supporting an Extension Element. See diagram below for clarification.

Diagram for Spacers (top view)



Example: If a center leg will support an Extension Element on both sides, it will require 2 spacers on each side (a total of 4 spacers on the leg).

ELEMENTS | double-sided



ELEMENTS | DOUBLE-SIDED

Building the Basic Structure, continued

STEP I: Prepare Supports, continued

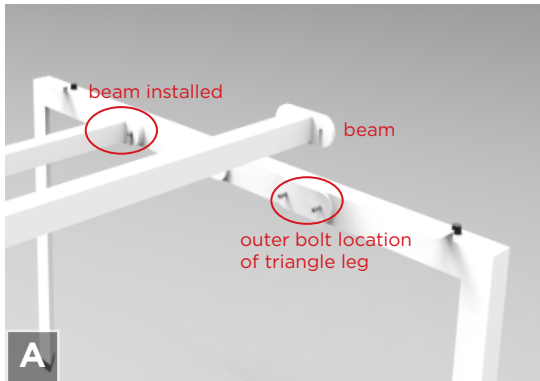
Supporting Credenza

1. On each side of the credenza attachment bracket, insert four 6 mm bolts, included in the hardware package, at the two outer locations. Hand tighten with 5 turns. *IMAGE A*
2. Locate the track support bracket and hand tighten to the location of the plate using washers and 6 mm bolts (1 washer per bolt), for each side of the credenza attachment bracket. *IMAGE A*
3. Slide a spacer onto the front bolts of each side of the credenza attachment bracket. *IMAGE A*

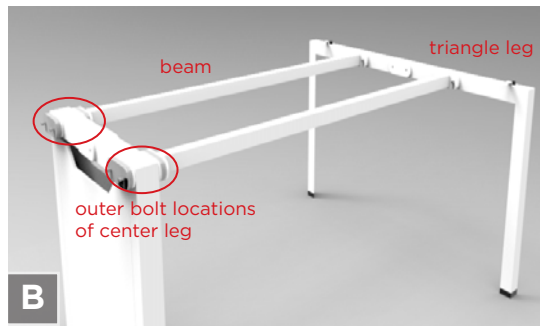


NOTE: Spacers are necessary at the credenza attachment bracket location to compensate for the difference in width between the credenza attachment bracket and triangle leg.

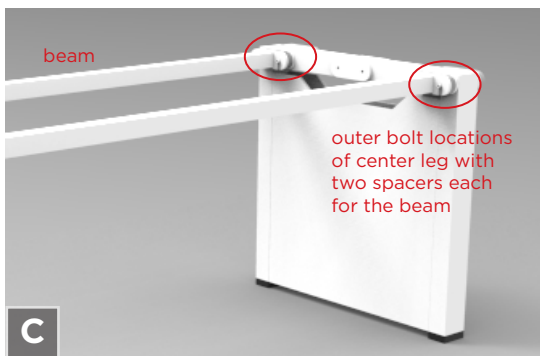
ELEMENTS | double-sided



Triangle Leg to Center Leg



Triangle Leg to Center Leg



Center Leg to Center Leg

ELEMENTS | DOUBLE-SIDED

Building the Basic Structure, continued

STEP II: Installing the Beams

Triangle Leg to Center Leg

1. Place the beam on the two outer locations of the triangle leg and center leg. *IMAGE A & B*
2. Push down on the beam as you tighten the 6 mm bolts on each leg. *IMAGE A & B*



NOTE: It is very important to level the structure at this point before proceeding with the installation.

Center Leg to Center Leg



NOTE: Center Leg to Center Leg configuration supports an Extension Element. Ensure that there are two spacers at each bolt location on the center legs for this beam. This is necessary before proceeding to install the beam.

1. Place the beam on the two outer locations of both center legs. *IMAGE C*
2. Push down on the beam as you tighten the 6 mm bolts on each leg. *IMAGE C*



NOTE: It is very important to level the structure at this point before proceeding with the installation.

STEP III: Installing the Trough & Electrical

We recommend installing the trough and power components at this point of the installation.

Please see pages 28-35 for detailed instructions.

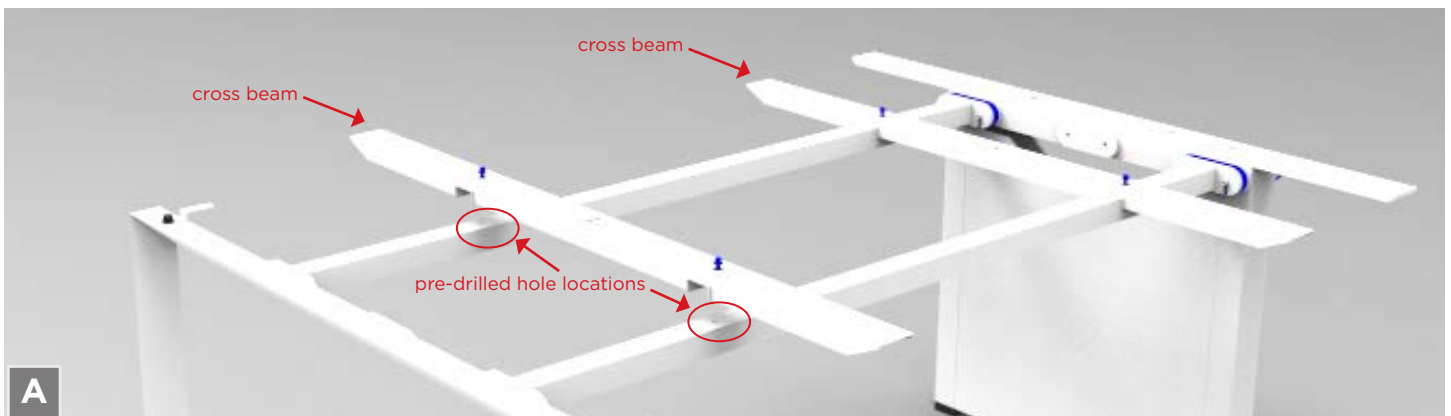
ELEMENTS | double-sided

ELEMENTS | DOUBLE-SIDED

Building the Basic Structure, continued

STEP IV: Installing Cross Beams

1. Install cross beams at the pre-drilled hole locations on the two beams using the 5 mm bolts included in the hardware and tighten. IMAGE A



STEP V: Installing Accessory Tracks

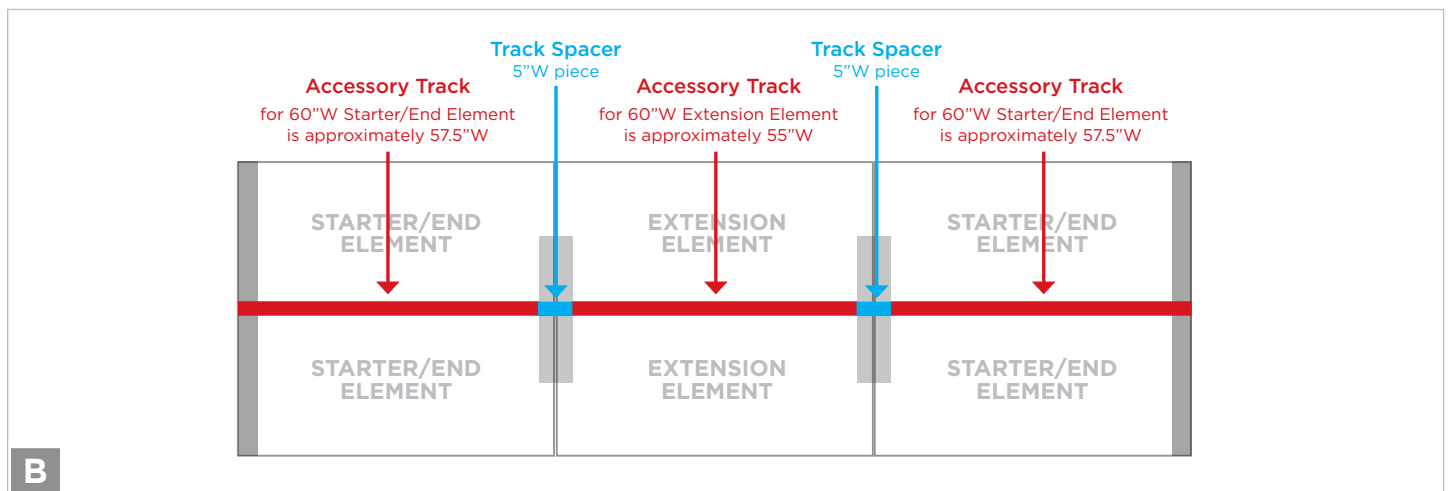
Accessory tracks for Elements are designed shorter than the worksurface width. This accommodates for track spacers, which allow convenient accessories installation/removal from the top.

Track spacers are placed in the locations between two accessory tracks. See diagram below:



NOTE: Track spacers are installed after worksurface installation.

Diagram for Accessory Track & Track Spacers (top view)



ELEMENTS | double-sided

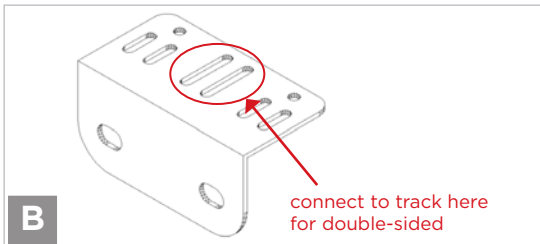
ELEMENTS | DOUBLE-SIDED

Building the Basic Structure, continued

STEP V: Installing Accessory Tracks, continued

1. Place the track on the track support brackets on each leg. Insert 5 mm screws through the underside of the bracket into the track, for each side. Do not tighten at this point.

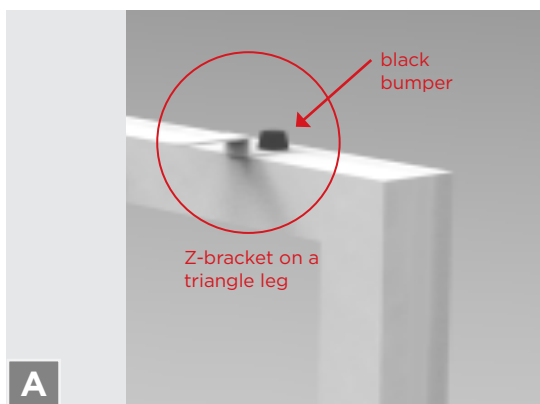
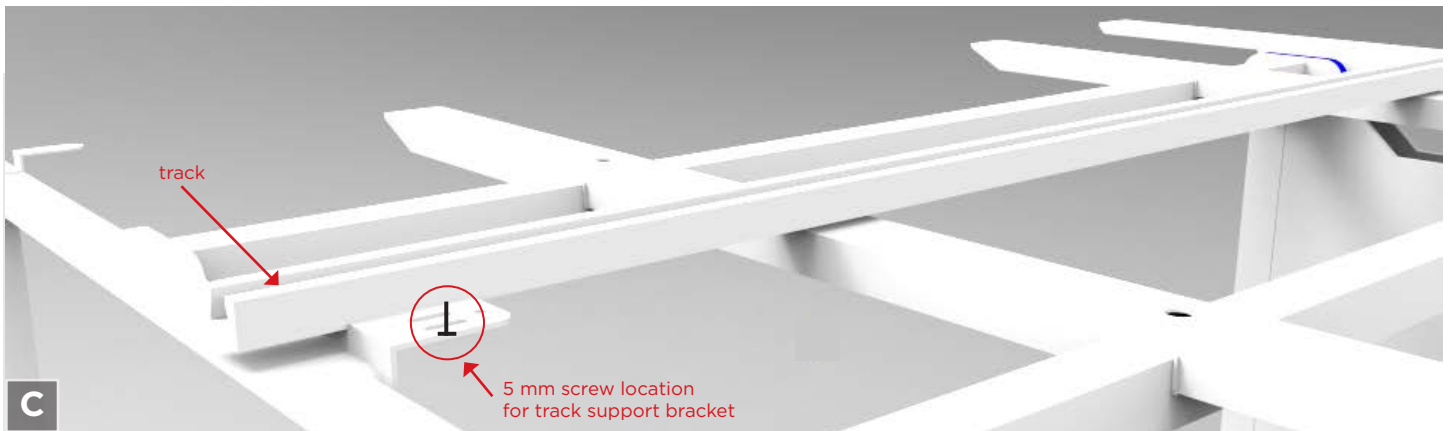
IMAGE B & C



NOTE: The screws securing the track to the track support brackets will be tightened later during the installation of the worksurfaces.



NOTE: Do not install the plastic track end caps at this point. They will be installed after track accessories are installed in place.



ELEMENTS | DOUBLE-SIDED

Building the Basic Structure, continued

STEP VI: Installing Z-brackets

1. Place two Z-brackets on top of the triangle leg at the pre-drilled hole locations toward the front and back of the leg.

IMAGE A



NOTE: Make sure the Z-bracket faces the direction the worksurfaces will be installed.

2. Insert the black bumper and secure in place with a black rivet. IMAGE A

ELECTRICAL

DEFINITIONS

Power harnesses are the power distribution parts that carry all power through the system. It comes pre-installed in the power trough.

Power trough is connected to the structure beneath the worksurface to hold cables and provide power with electrical outlets.

Receptacles are the outlet plugs designed for installation in the power trough to provide power within the work space.

Power entry, either base feed or ceiling feed are the power distribution parts designed to connect to the existing building power.

Power Jumpers are used to carry the electrical power from power harness to power harness.

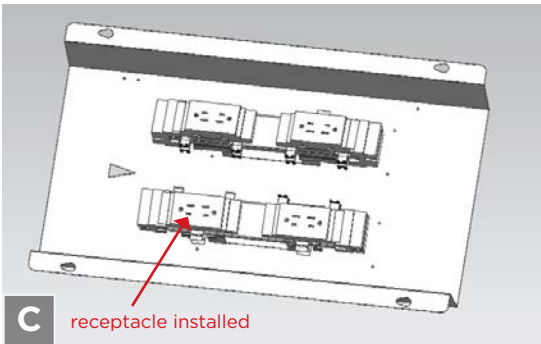
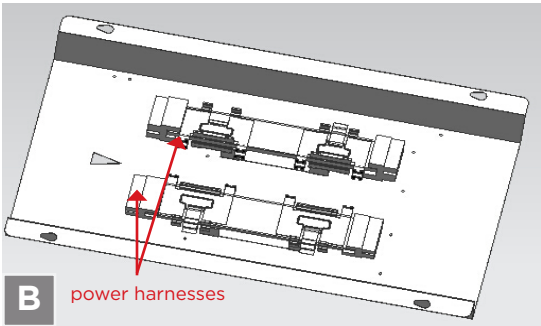
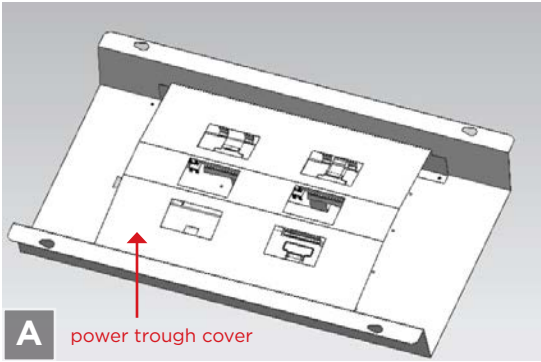
A **qualified electrician** is an individual either licensed or recognized by the local building code authorities to properly wire the Verity power system to the existing building power.



WARNING: Never attempt to install the power entries on this system without a qualified electrician. Attempting to do so can result in electric shock, personal injury, or death.



WARNING: All electrical connections must be securely engaged. Loose connections can cause fire and/or electrical shock.



POWER INSTALLATION

We recommend installing power components to the trough prior to installing the trough to the structure. It is also recommended to install the trough to the structure before installing the cross beams and accessory track.

Power Trough Cover

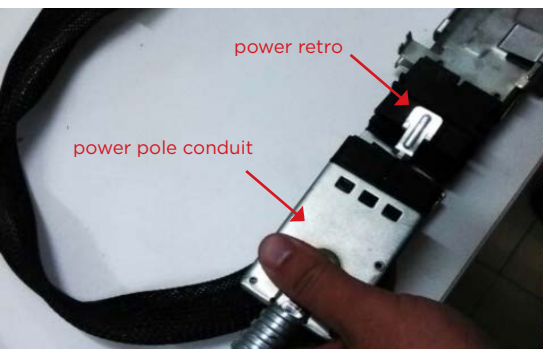
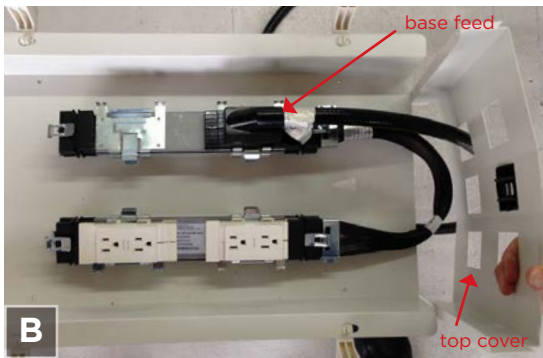
Remove the top cover from the power trough by removing the screws to access the power harness. *IMAGE A & B*

Receptacles

1. Insert the receptacle into the power harness. *IMAGE C*
2. Align the lower tab on the receptacle with the mechanical connection on the power harness. *IMAGE C*
3. Secure the connection by sliding the receptacle until it locks into the spring clip. *IMAGE C*

Continued on next page

ELECTRICAL



POWER INSTALLATION, CONTINUED

Data Jacks

Install data jacks into the data port plate.

Power Festoon (applies to double-sided only)

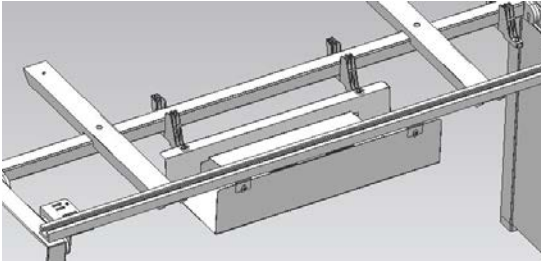
Connect the two power retros by installing the power festoon. IMAGE A

Base Feed

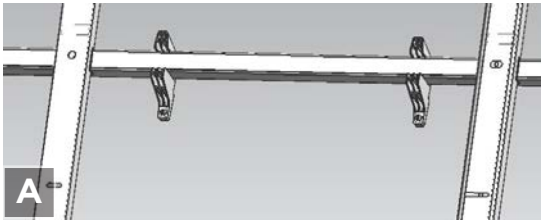
1. Plug the base feed into the duplex location. IMAGE
2. Pass the hard wire side of the base feed through the trough top cover. IMAGE
3. Reinstall the top cover to the power trough with screws. IMAGE

Power Pole

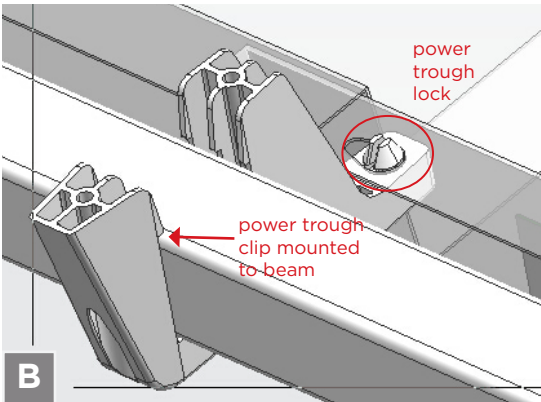
Plug the power pole conduit into one end of the power retro. IMAGE



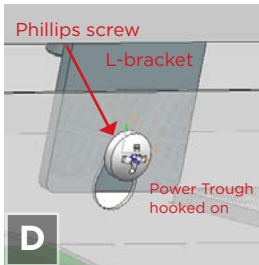
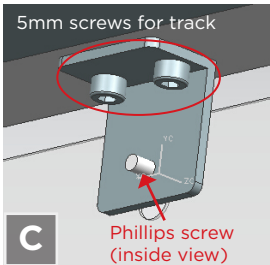
Single Sided Power Trough installed.



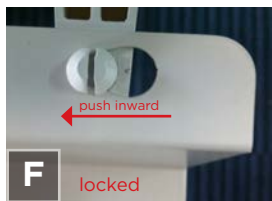
Two mounted power trough clips.



Close-Up View: Power Trough Clip




L-bracket: For single-sided only



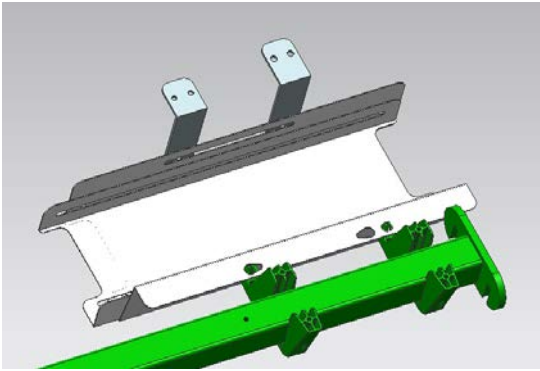
Power trough clip locking end.

TROUGH INSTALLATION, SINGLE-SIDED

Single Sided

1. Mount the two power trough clips to the beam with the locking end facing toward the track. *IMAGE A & B*
-  **NOTE:** Power trough clips will be secured to the underside of the worksurface at the time of the worksurface installation.
2. Install L-bracket to the track with the 5mm screws included in the hardware package. *IMAGE C*
 3. Install the Phillips screw to the outside of the L-bracket. *IMAGE C & D*
 4. Hook the trough onto the Phillips screw and slide the power trough clips into place through the holes. *IMAGE D & E*
 5. Push the power trough clips toward each other to lock into place. *IMAGE E & F*

ELECTRICAL

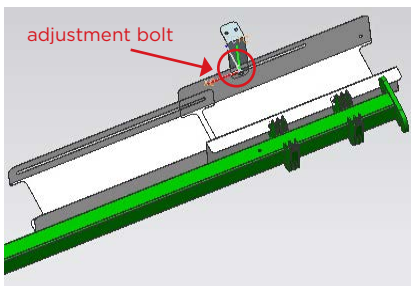
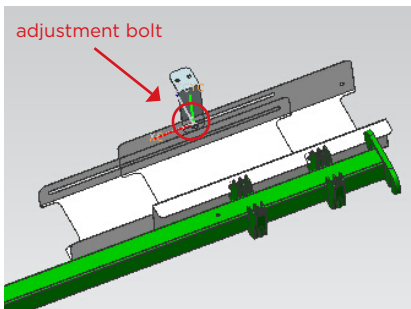
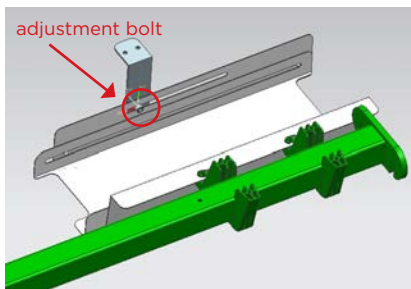


EXTENSION TROUGH INSTALLATION, SINGLE-SIDED

Installation of the extension trough is the same as a standard trough with the added step of extending the base to connect to an adjacent trough.

Single Sided


1. Follow instructions from the previous page to install the trough.
2. Insert one bolt into each adjustment location. Slide the extended base of the trough to the appropriate length and tighten the bolt to secure in place.



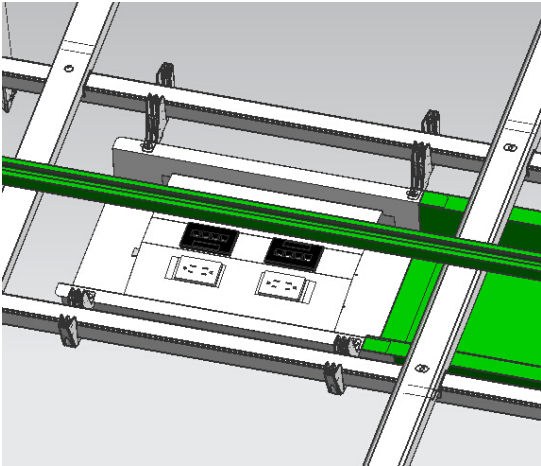
TROUGH INSTALLATION, DOUBLE-SIDED

Double Sided

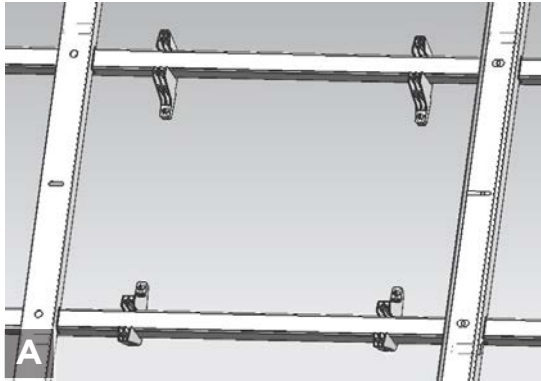
1. Mount two power trough clips per each beam with the locking end facing inward toward the track. *IMAGE A & B*

 **NOTE:** Power trough clips will be secured to the underside of the worksurface at the time of the worksurface installation.

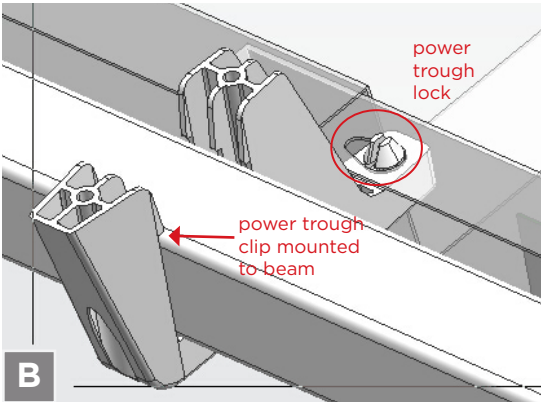
2. Hook the locking ends of the clips through the keyholes on the trough. Push the clips toward each other to lock into place. *IMAGE C & D*



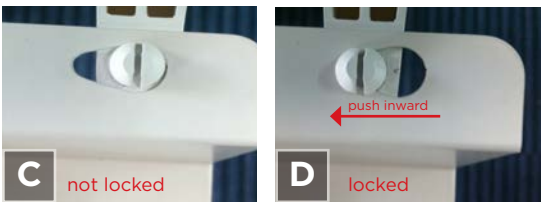
Double Sided Power Trough installed.



Four mounted power trough clips.

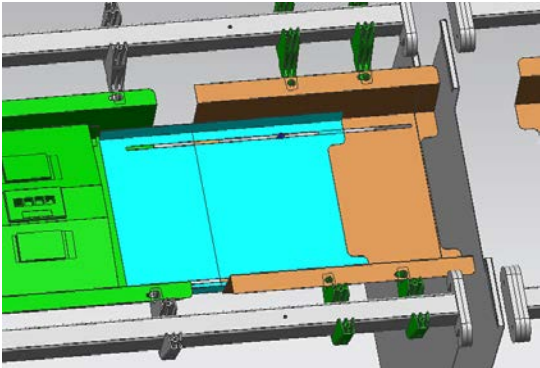


Close-Up View: Power Trough Clip



Power trough clip locking end.

ELECTRICAL

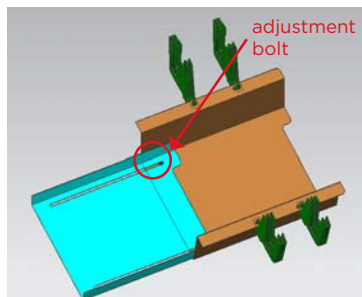
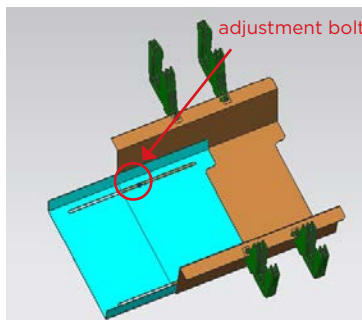
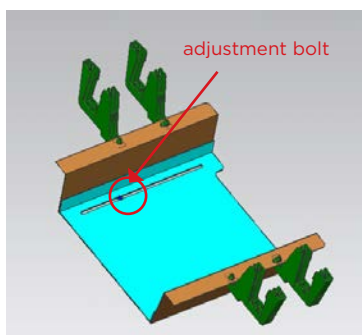


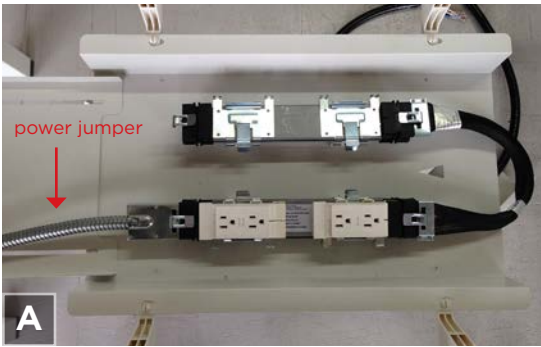
EXTENSION TROUGH INSTALLATION, DOUBLE-SIDED

Installation of the extension trough is the same as a standard trough with the added step of extending the base to connect to an adjacent trough.

Double Sided

1. Follow instructions from the previous page to install the trough.
2. Insert one bolt into each adjustment location. Slide the extended base of the trough to the appropriate length and tighten the bolt to secure in place.





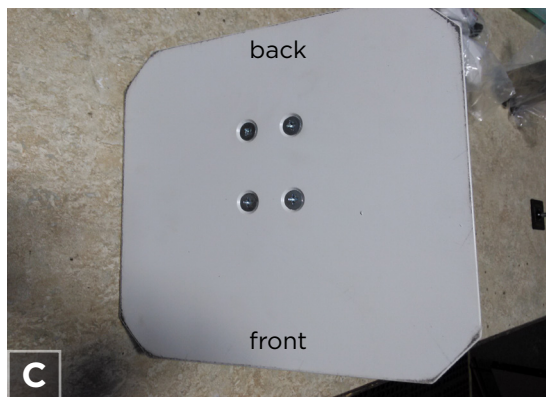
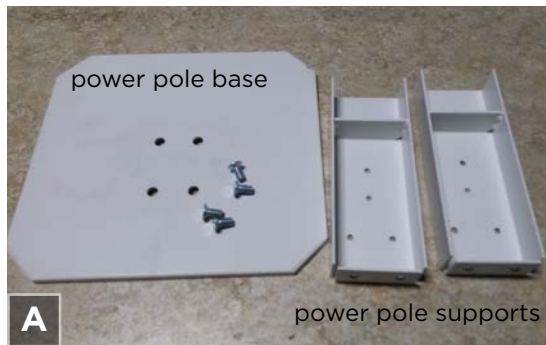
POWER JUMPERS

1. Plug the power jumper into the power retro to connect power from one element to an adjacent element. IMAGE A



NOTE: Power jumpers are not for use on Stand Alone Units.

ELECTRICAL



Power pole base and supports installed

POWER POLE INSTALLATION

1. Begin by installing together the power pole base plate at power pole supports. *IMAGE A*
2. Secure the power pole supports using the 4 flat head screws through the chamfered holes from bottom of the base into the support. *IMAGE B & C*

POWER POLE INSTALLATION, CONTINUED

3. Reference the front/back orientation of the power pole base.
4. Slide the power pole back cover onto the power pole support in the back location using 7/16" screws and screw covers provided. *IMAGE E & F*
5. Continue with the installation on the next page. The power pole front cover will be installed later.

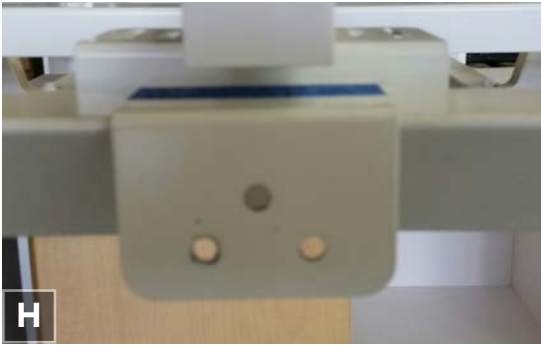


Power pole back screw and covers installed



Power pole back screw covers closed

ELECTRICAL



H
Power pole connecting bracket



I
View from power pole side (bracket behind)



J
View from power pole side (bracket behind)

POWER POLE INSTALLATION, CONTINUED

6. Bring the back of the power pole up to the power pole bracket to connect together. *IMAGE H*
7. Set the 3 sets of screws and washers loosely through the power pole back cover into the power pole bracket. Do not tighten at this time. *IMAGE I*



NOTE: It is very important to level the structure at this point before proceeding with the installation.

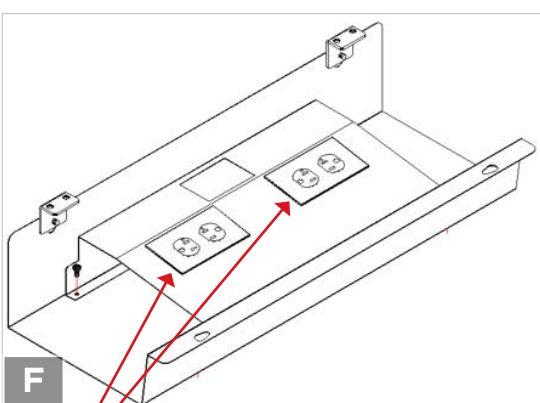
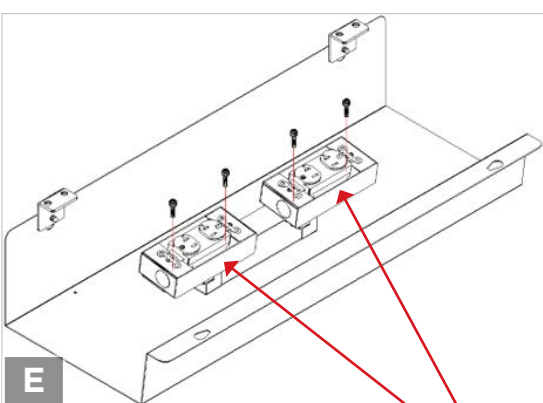
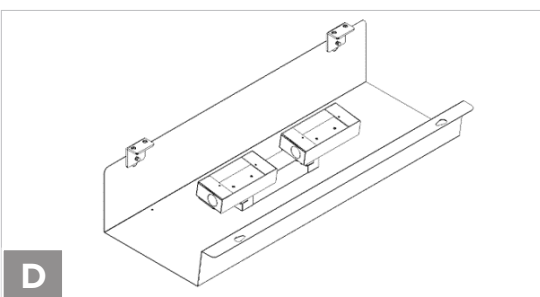
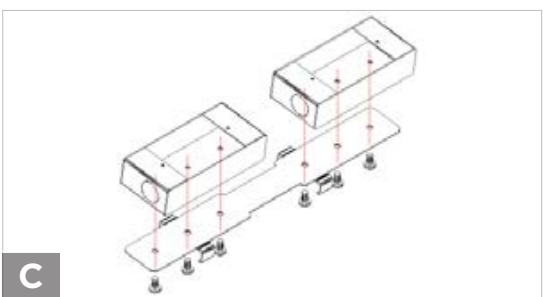
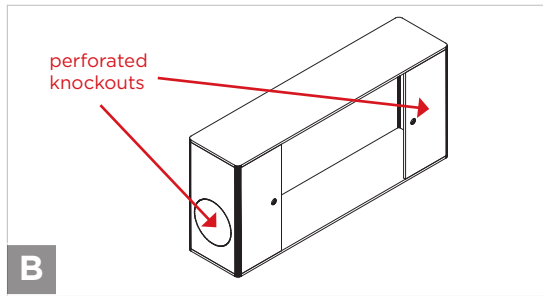
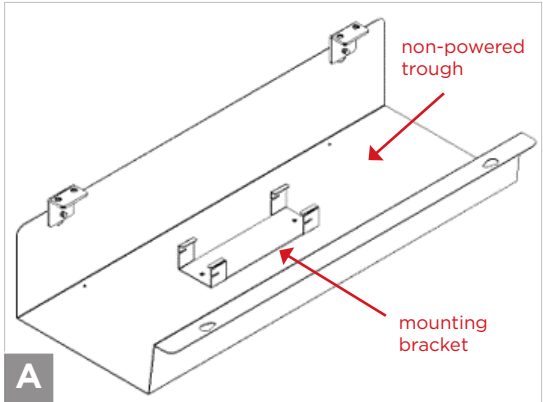
8. Pushing downward on the base plate, tighten the screws connecting the power pole to the bracket. *IMAGE J*
9. Now, install the power pole front cover using the same method as installing the back cover. Reference the previous page for instructions. *IMAGE E, F, G*
10. Squeeze the power pole front and back covers together until they snap into place.

CHICAGO POWER - SINGLE SIDED



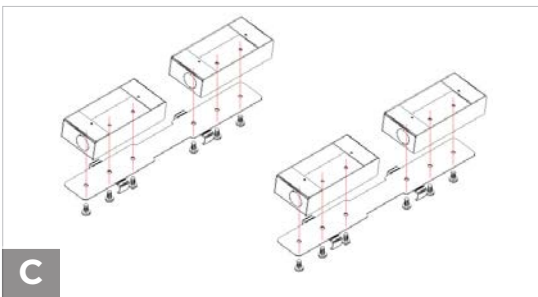
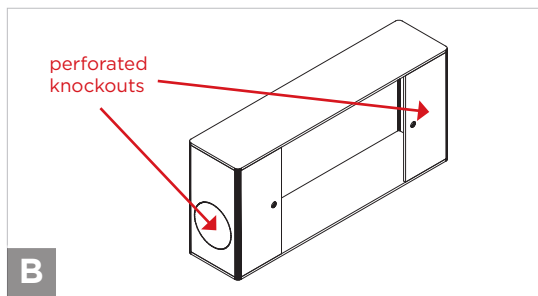
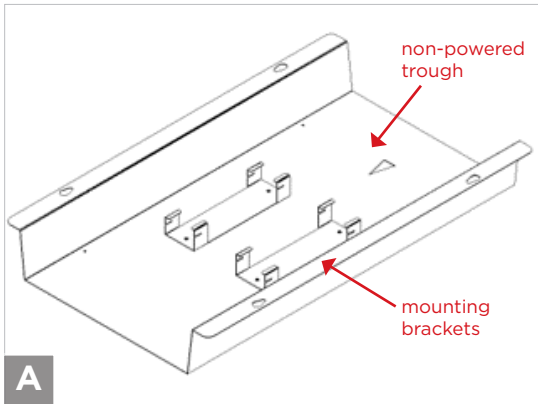
NOTE: Chicago electrical components provided by others.

1. Secure the mounting bracket to the trough with provided screws **IMAGE A**
2. Remove perforated knock outs on sides of boxes as needed **IMAGE B**
3. Secure the boxes to the adapter bracket with (6) M5x8 screws **IMAGE C**
4. Slide the adapter bracket with boxes into the mounting bracket **IMAGE D**
5. Add electrical components provided by others, do not install faceplates **IMAGE E**
6. Attach the trough cover over the completely installed power components with (4) M4x6 screws
7. Add the faceplates provided by others **IMAGE F**



Outlets, wires, conduit, and faceplates provided by others

ELECTRICAL

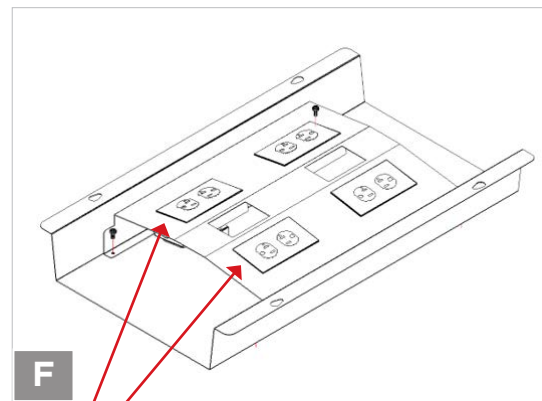
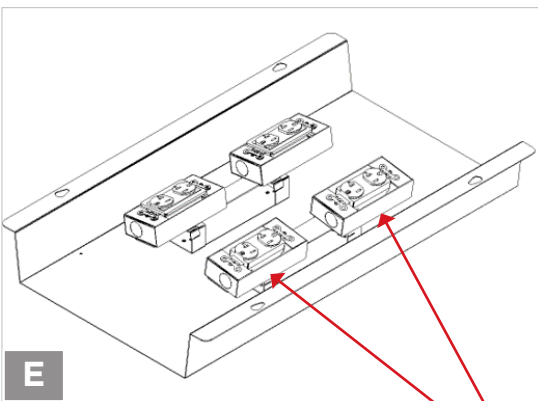
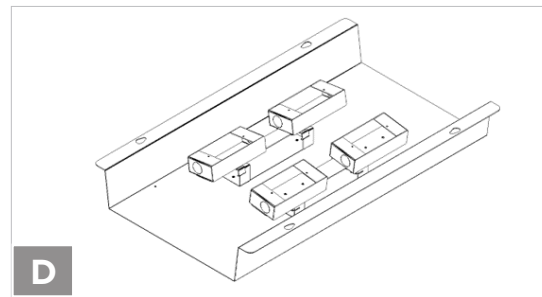


CHICAGO POWER - DOUBLE SIDED

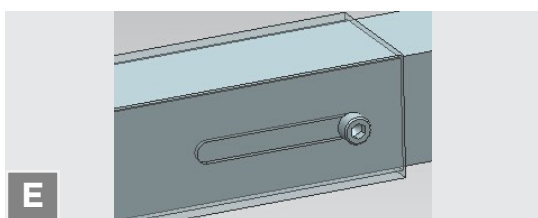
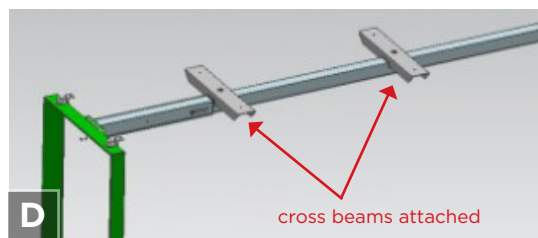
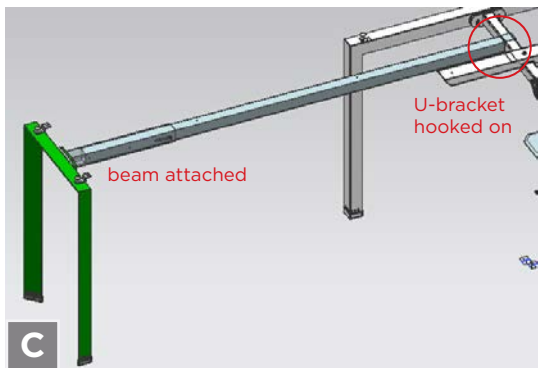
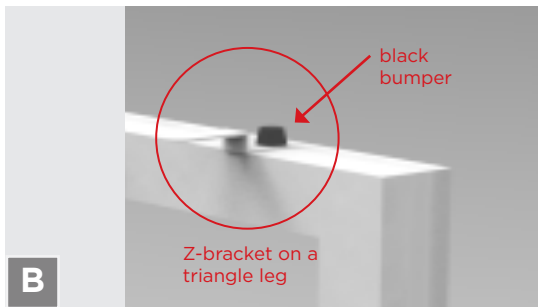
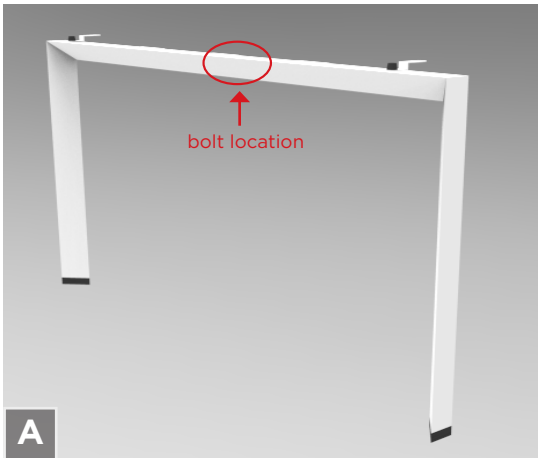


NOTE: Chicago electrical components provided by others.

1. Secure (2) mounting brackets to the trough with provided screws IMAGE A
2. Remove perforated knock outs on sides of boxes as needed IMAGE B
3. Secure the (4) boxes to the (2) adapter brackets with (6) M5x8 screws IMAGE C
4. Slide the adapter brackets with boxes into the mounting brackets IMAGE D
5. Add electrical components provided by others, do not install faceplates IMAGE E
6. Attach the trough cover over the completely installed power components with (4) M4x6 screws
7. Add the faceplates provided by others IMAGE F



Outlets, wires, conduit, and faceplates provided by others



RETURN WORKSURFACE Installing to the Beam

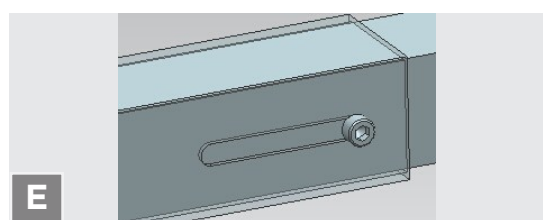
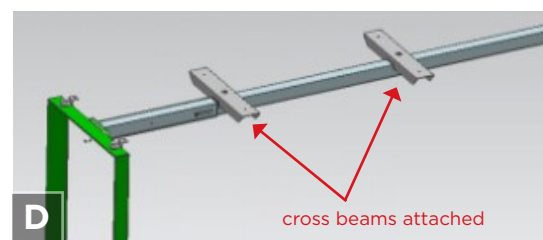
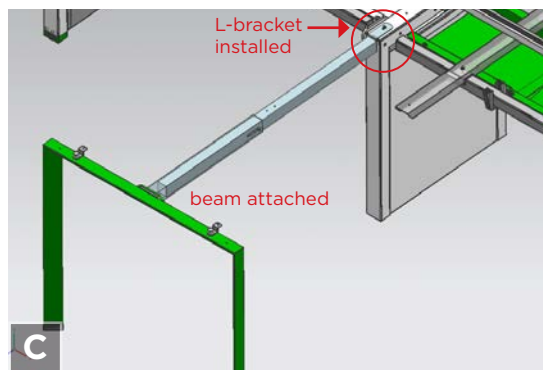
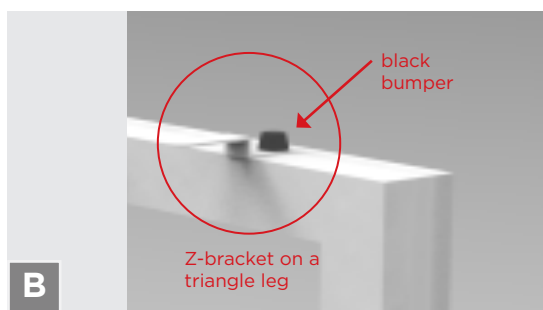
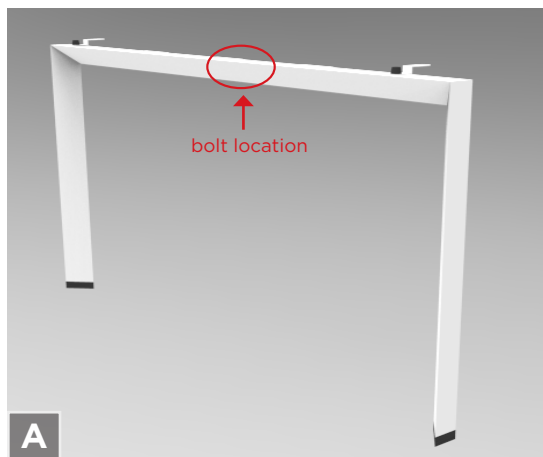
1. Insert two 6 mm bolts, included in the hardware package, at the center location on the return triangle leg. *IMAGE A*
2. Place Z-brackets on top of the return triangle leg at the pre-drilled hole locations toward the front and back, making sure the Z-bracket faces the direction the beam will be installed. *IMAGE A & B*
3. Insert black bumper and secure in place with black rivet. *IMAGE A & B*
4. Hook the U-bracket of the return surface beam onto the center beam. *IMAGE C*
5. Place the other end of the return surface beam on the center location of the triangle leg. *IMAGE C*
6. Push down on the beam as you tighten the 6 mm bolts to the triangle leg. *IMAGE C*



NOTE: It is very important to level the structure at this point before proceeding with the installation.

7. Install cross beams at the pre-drilled hole locations on the return surface beam using the 5 mm bolts included in the hardware and tighten. *IMAGE D*
8. Adjust the length of the return surface beam to match the length of the worksurface and tighten. *IMAGE E*

WORKSURFACES



RETURN WORKSURFACE

Installing to the Center Leg

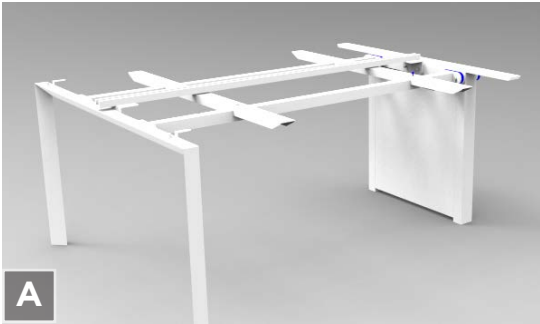
1. Insert two 6 mm bolts, included in the hardware package, at the center location on the return triangle leg. *IMAGE A*
2. Place Z-brackets on top of the return triangle leg at the pre-drilled hole locations toward the front and back, making sure the Z-bracket faces the direction the beam will be installed. *IMAGE A & B*
3. Insert black bumper and secure in place with black rivet. *IMAGE A & B*
4. Install the L-bracket of the return surface beam onto the end of the center leg. *IMAGE C*
5. Place the other end of the return surface beam on the center location of the triangle leg. *IMAGE C*
6. Push down on the beam as you tighten the 6 mm bolts to the triangle leg. *IMAGE C*



NOTE: It is very important to level the structure at this point before proceeding with the installation.

7. Install cross beams at the pre-drilled hole locations on the return surface beam using the 5 mm bolts included in the hardware and tighten. *IMAGE D*
8. Adjust the length of the return surface beam to match the length of the worksurface and tighten. *IMAGE E*

WORKSURFACES



WORKSURFACE INSTALLATION

1. Place the work surface onto the supports. Ensure that the supports are aligned correctly and the work surface is flush. IMAGE A & B
2. If the work surface doesn't align with the triangle leg, loosen the bolts on the track support bracket. Align the work surfaces with the triangle legs, and then tighten the bolts. IMAGE B
3. Secure the work surface to the cross beams using the wood screws included. IMAGE C

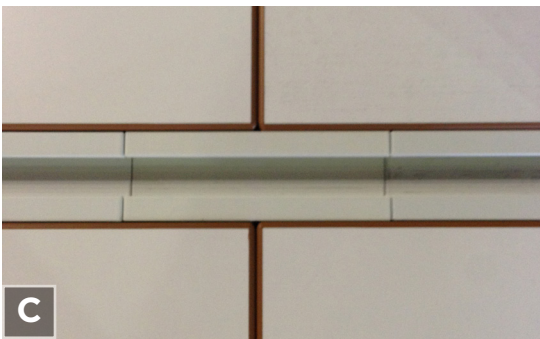


NOTE: At this point, secure the power trough clips to the underside of the work surface using the screws provided.

WORKSURFACES



Single Sided track spacer installed



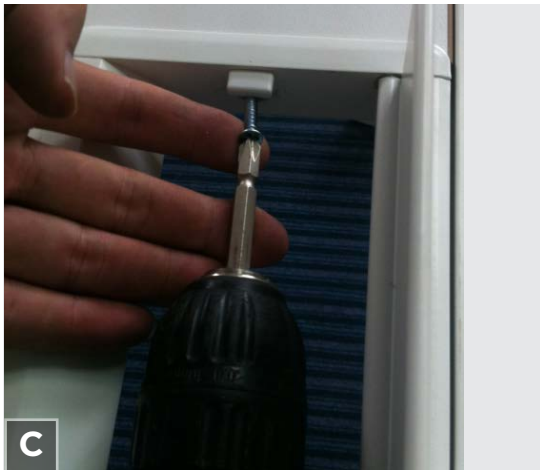
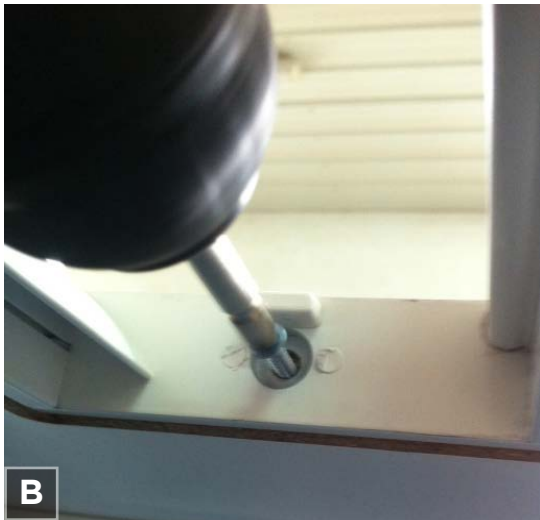
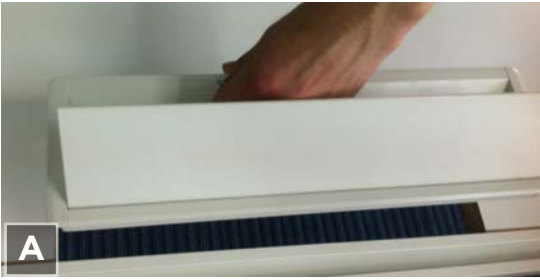
Double Sided track spacer installed

TRACK SPACER INSTALLATION

Track spacers are used on Elements only; not used for Stand-Alone Units.

The track spacer is necessary in order to add or remove track-mounted accessories from the top of the worksurface. The track spacer sits in between two accessory tracks. It can easily be removed to install new or additional accessories.

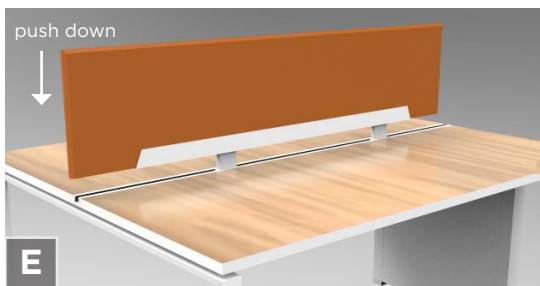
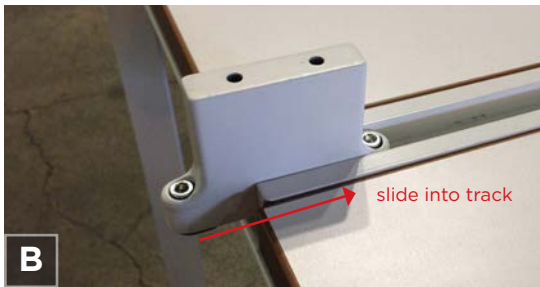
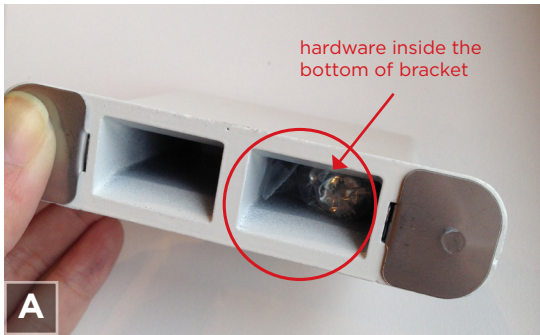
WORKSURFACES



GROMMET INSTALLATION

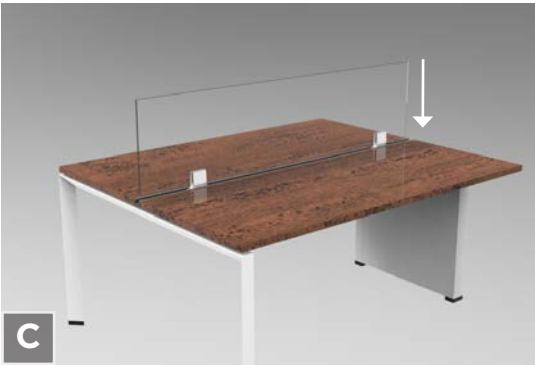
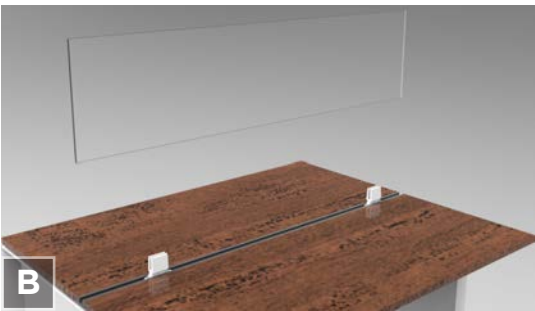
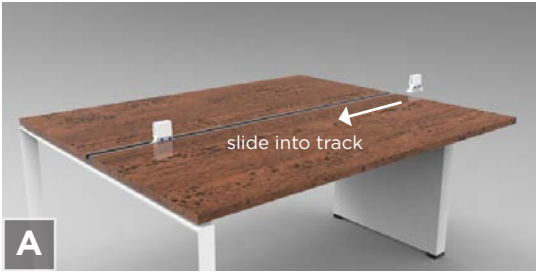
1. Place the grommet into the location on the work surface, with the cover opening toward the track. *IMAGE A & B*
2. Lift the cover and secure from the inside left and right with screws provided. *IMAGE B & C*

ACCESSORIES



TRACK-MOUNTED TACKBOARD INSTALLATION

1. Remove the hardware packages from inside both attachment brackets. *IMAGE A*
2. Slide both attachment brackets into the track to the desired location. This can be done by either removing the track spacer or sliding them in from the end of the track (as shown). *IMAGE B*
3. Align the attachment bracket with the holes of the U-channel and attach using the screws from the hardware package. *IMAGE C*
4. Once assembled and at the desired location on the track, tighten the bolts on the attachment bracket to secure to the track. *IMAGE D*
5. Center the tackboard onto the U-channel and push down to secure in place. *IMAGE E*



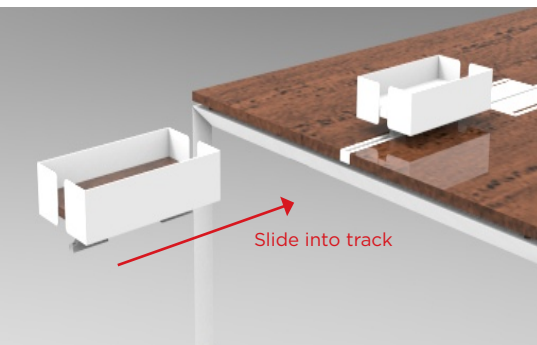
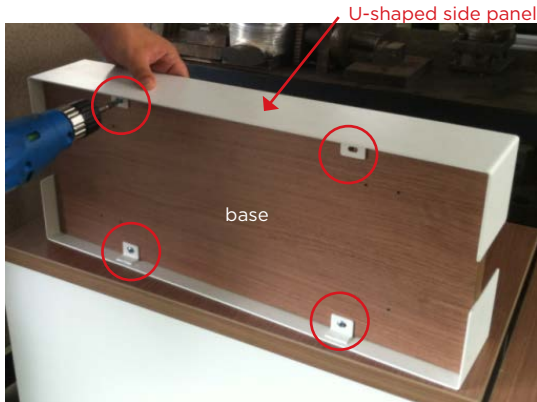
TRACK-MOUNTED GLASS INSTALLATION

1. Remove the 5" section from the track.
2. Slide in both glass mounting brackets to the desired location and space apart according to the length of the glass screen. *IMAGE A*
3. Tighten the chrome screws to secure the mounting bracket to the track. *IMAGE D*
4. Loosen the black screws on the glass mounting brackets. *IMAGE D*
5. Place the glass onto the attachment brackets. Tighten the black screws to secure in place. *IMAGE B & C*



NOTE: Be cautious when tightening the black screws on the bracket, which secure the glass to avoid cracking.

ACCESSORIES



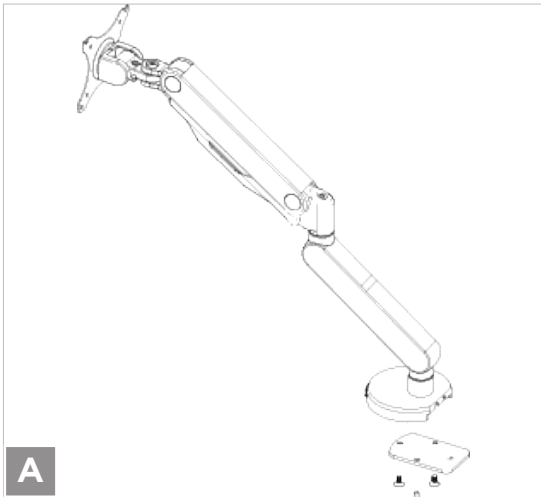
OPEN SHELF INSTALLATION

1. Build the shelf by securing both U-shaped side panels to the base using wood screws provided. *IMAGE A & B*



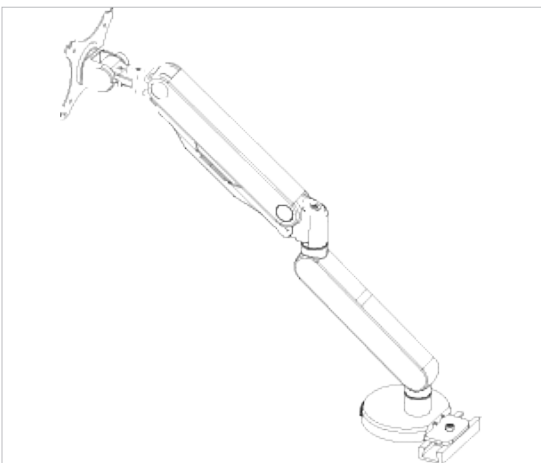
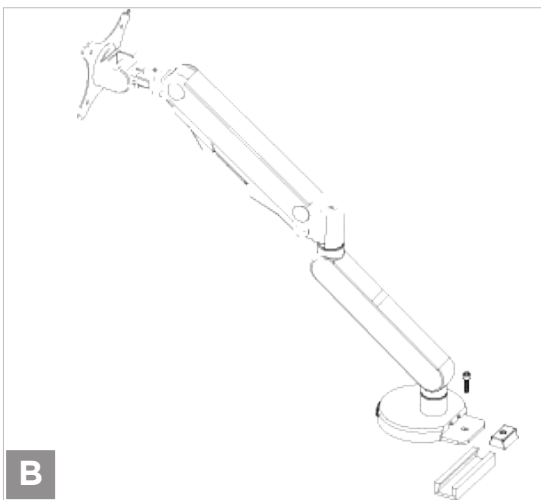
NOTE: The side with pre-drilled holes is the bottom of the base. Do not build the shelf with this side facing up.

2. Install the flat plate onto the attachment bracket. *IMAGE B & C*
3. Install the assembled attachment bracket onto the open shelf at the pre-drilled hole locations on the base. *IMAGE B*
4. Slide the shelf into the track to the desired location and secure using a 5 mm wrench. *IMAGE B*



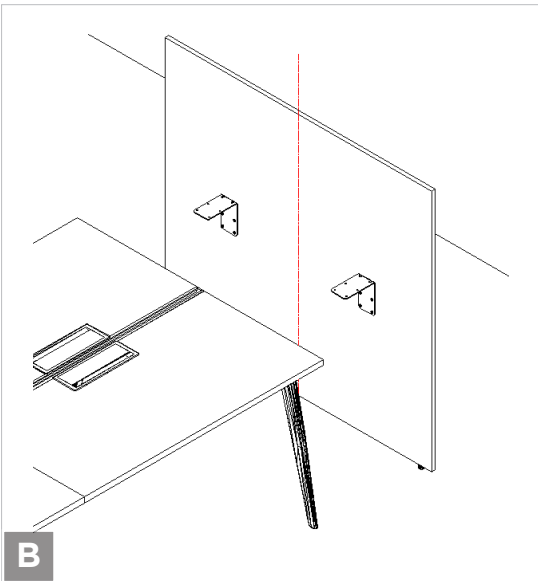
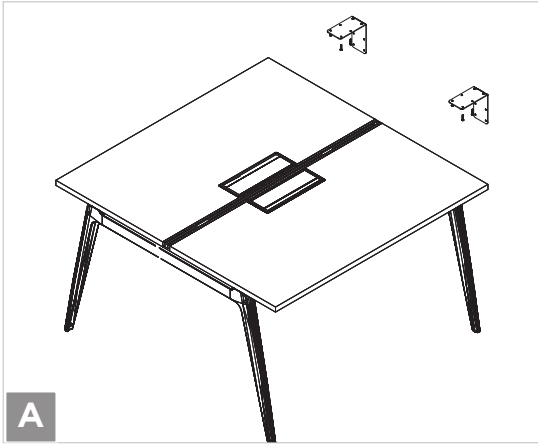
MONITOR ARM

1. Attach the Verity bottom support to the monitor arm with (3) screws. **IMAGE A**
2. Insert the block into the Verity track. Then, using a screw, attach the monitor arm bottom support to the block. **IMAGE B**



Final installation shown

ACCESSORIES



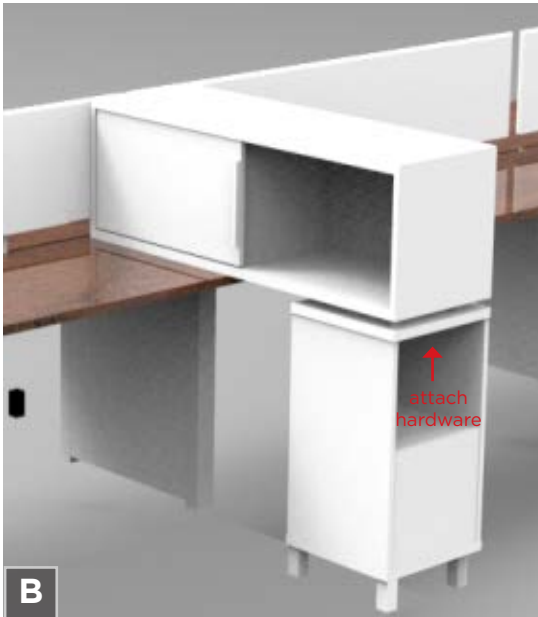
GALLERY PANEL INSTALLATION

1. Complete installation of Verity product
2. Level Verity product
3. Level gallery panel in alignment with Verity product
4. Secure L shape brackets to bottom of Verity worksurfaces using wood screws. *IMAGE A*
5. L shape brackets should be placed centered to each worksurface. *IMAGE B*
6. Secure gallery panels to L brackets using wood screws. *IMAGE C*



OVER WORKSURFACE STORAGE INSTALLATION With Cabinet Support

1. Secure the stand-offs to the top of the storage support cabinet. *IMAGE A*
2. Place the over worksurface storage onto the worksurface at the desired location and rest it on top of the storage support cabinet. *IMAGE B*
3. Secure the over worksurface storage to the support cabinet from the inside of the cabinet with the hardware provided. *IMAGE B*



ACCESSORIES



OVER WORKSURFACE STORAGE INSTALLATION With Column Base Support

1. Place the over worksurface storage onto the worksurface at the desired location and place the column base under the opposite side. *IMAGE A*
2. Adjust the height of the glides until the top plate on the column base touches the bottom of the over worksurface storage. *IMAGE B*
3. Secure the over worksurface storage to the column base with hardware provided. *IMAGE B*

